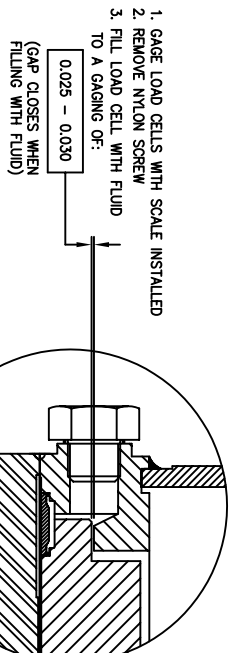
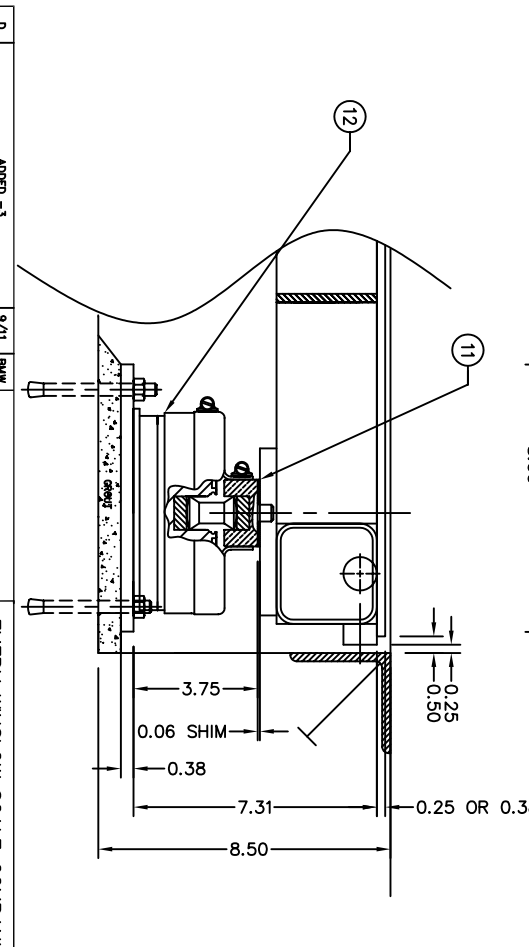
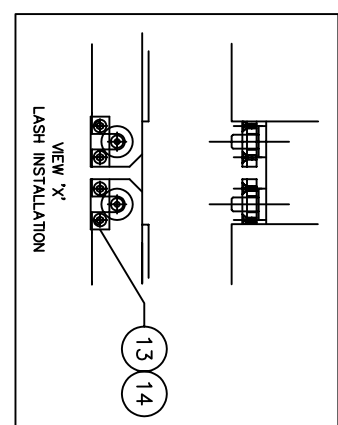
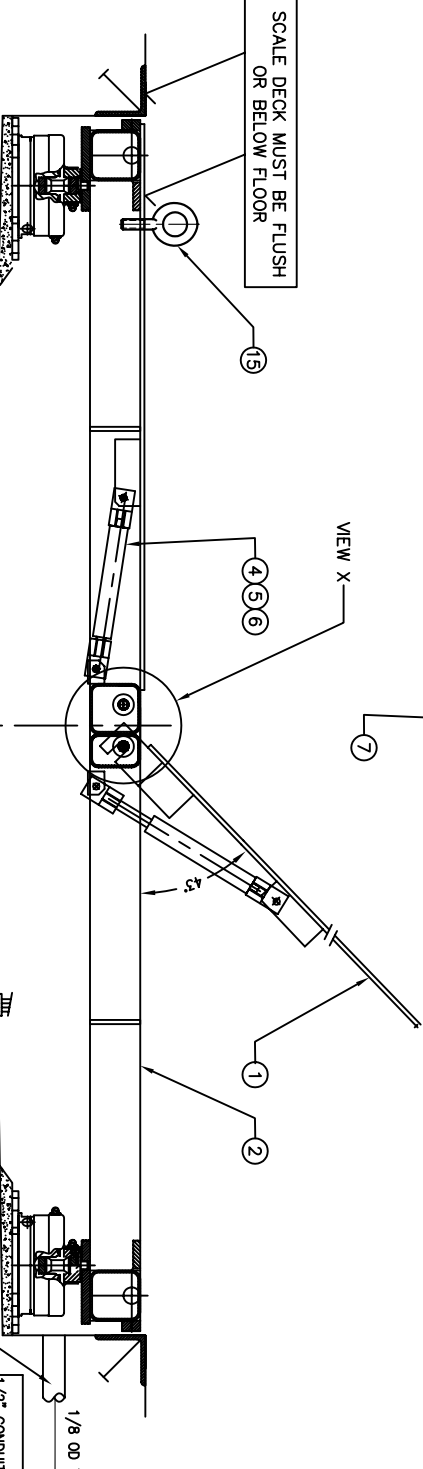
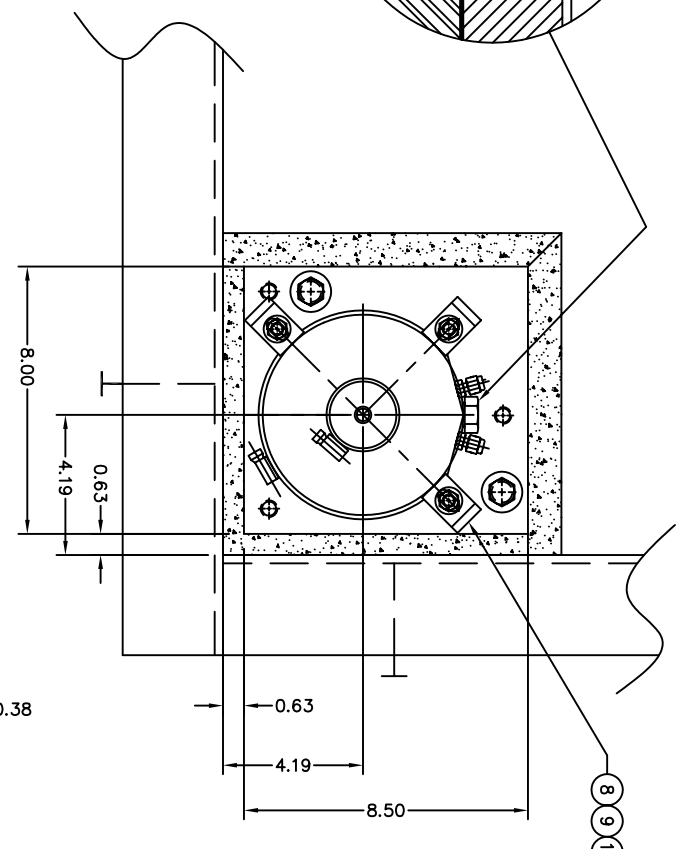


| DASH NO.  | SCALE MODEL NO. | CAPACITY                       | ITEM NO.                | QTY | MATERIAL | UNIT | PART NO.                          | SIZE                       | WT. |
|-----------|-----------------|--------------------------------|-------------------------|-----|----------|------|-----------------------------------|----------------------------|-----|
| D-72976-1 | 710-56-5-GS     | 5,000 lb<br>3,000 lb AXLE LOAD | 1 GAS SPRING LIFT DECK  | 2   | SS 304   |      | D-72978                           | AS PER FACTORY ORDER       | 340 |
|           |                 |                                | 2 DECK FRAME            | 1   | SS 304   |      | D-72977-1                         | AS PER FACTORY ORDER       | 242 |
|           |                 |                                | 3 PIT ARRANGEMENT       | A/R |          |      | D-72476                           | FOR 1/4" DECK<br>M10 X 1.5 |     |
|           |                 |                                | 4 GAS SPRING            | 8   | SS 304   |      | A-34541-3                         | M10 X 1.5                  |     |
|           |                 |                                | 5 GAS SPRING            | 4   | SS 316   |      | A-73066-5                         |                            |     |
|           |                 |                                | 6 CLEVIS PIN            | 8   | SS 303   |      | A-12067-3                         |                            |     |
|           |                 |                                | 1 GAS SPRING LIFT DECK  | 2   | SS 304   |      | D-73032                           | AS PER FACTORY ORDER       | 481 |
|           |                 |                                | 2 DECK FRAME            | 1   | SS 304   |      | D-72977-2                         | FOR 3/8" DECK<br>M10 X 1.5 | 331 |
|           |                 |                                | 3 PIT ARRANGEMENT       | A/R |          |      | D-36230                           |                            |     |
|           |                 |                                | 4 CLEVIS                | 12  | SS 304   |      | A-34541-3                         |                            |     |
|           |                 |                                | 5 GAS SPRING            | 6   | SS 316   |      | A-73066-5                         |                            |     |
|           |                 |                                | 6 GAS SPRING LIFT DECK  | 12  | SS 303   |      | A-12067-3                         |                            |     |
|           |                 |                                | 7 DECK FRAME            | 2   | SS 304   |      | D-73032                           | AS PER FACTORY ORDER       | 481 |
|           |                 |                                | 2 DECK FRAME            | 1   | SS 304   |      | D-72977-3                         | FOR 3/8" DECK<br>M10 X 1.5 | 572 |
|           |                 |                                | 4 CLEVIS                | 12  | SS 304   |      | A-34541-3                         |                            |     |
|           |                 |                                | 5 GAS SPRING            | 6   | SS 316   |      | A-73066-5                         |                            |     |
|           |                 |                                | 6 CLEVIS PIN            | 12  | SS 303   |      | A-12067-3                         |                            |     |
|           |                 |                                | 7 SPACER BAR            | 12  | SS 304   |      | B-36498-2                         | 0.38 X 4.00 X 60.00        |     |
|           |                 |                                | 8 CLAMP                 | 12  | SS 304   |      | A-34653                           |                            |     |
|           |                 |                                | 9 HHCS                  | 12  | SS 304   |      | 0.375-16 UNC X 1.00               |                            |     |
|           |                 |                                | 10 WASHER MS15795       | 12  | SS 304   |      | A-73699-3                         |                            |     |
|           |                 |                                | 11 SHIM (FENDER WASHER) | 12  | SS 304   |      | A-70329                           |                            |     |
|           |                 |                                | 12 LOAD CELL            | 4   | SS 304   |      | D-36508                           | 1.36-10 CH                 |     |
|           |                 |                                | 13 LASH                 | 4   | SS 304   |      | A-35657                           |                            |     |
|           |                 |                                | 14 FHSCS                | 8   | SS 304   |      | FHSCS 0.250-20 UNC X 0.50 - SSS04 |                            |     |
|           |                 |                                | 15 EYE BOLT             | 2   | CS       |      | A-73698-5                         |                            |     |



- NOTES:
1. INSTALL LOAD CELL ONTO BASE PLATES SUCH THAT FITTINGS ARE ACCESSIBLE FOR PURGING AND MAINTENANCE.
  2. RUN 1/8 OD TUBING ON PIT WALL OR PIT FLOOR IN 1/2 INCH CONDUIT.
  3. PLACE SCALE AND CHECK FOR EVEN GAP ALL AROUND.
  4. IF GAP IS NOT EVEN, LOOSEN CLAMPS AND RELOCATE LOAD CELL.



1/2" CONDUIT FOR (4) 1/8 OD HYDRAULIC TUBING, SUPPLIED BY OTHERS, USE EITHER LOCATION TO SUIT INSTALLATION.

1/8 OD TUBING

PIT FLOOR DRAIN

EMERY WINSLOW SCALE COMPANY  
SCALE ASSEMBLY  
710S-56-##-GS

| REV. | SCALE FIRST USED ON | DRAWING NO. |
|------|---------------------|-------------|
| D    | D-72976             | D-72976     |

| REV. | DATE   | BY  | CHKD | APP'D |
|------|--------|-----|------|-------|
| 1    | 5/4/09 | BMW | BMW  | BMW   |
| 2    | 06/09  | CEM | BMW  | BMW   |
| 3    | 09/09  | CEM | BMW  | BMW   |
| 4    | 09/09  | CEM | BMW  | BMW   |

REVISION: ITEM 4 WAS B-34549-5 & IS NOW -2

ALL SHARP CORNERS AND EDGES TO BE BROKEN

TOLERANCES UNLESS OTHERWISE SPECIFIED  
DIMENSIONS ARE IN INCHES  
MACHINING FABRICATION

DATE: 5/4/09

SCALE: 1" = 1"

SCALE FILENAME: 703119

LAYERS USED: ALL