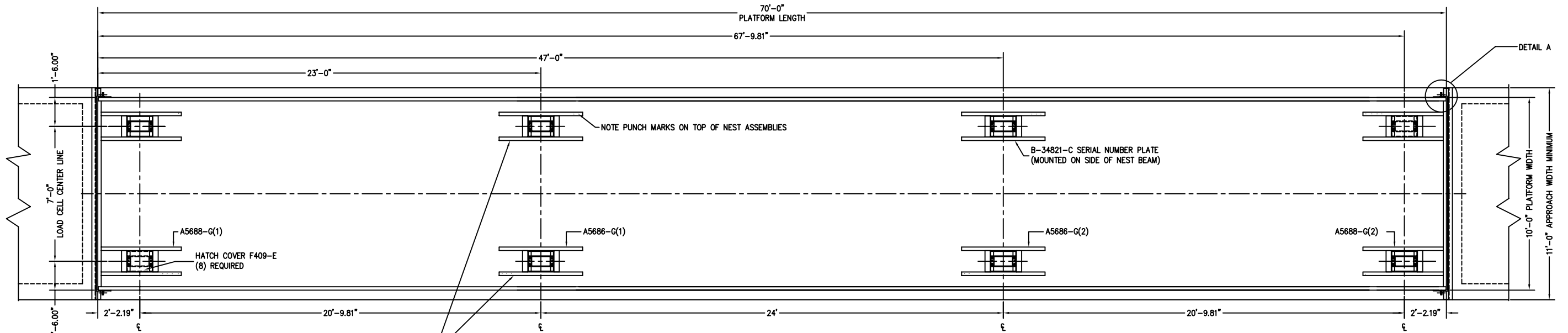
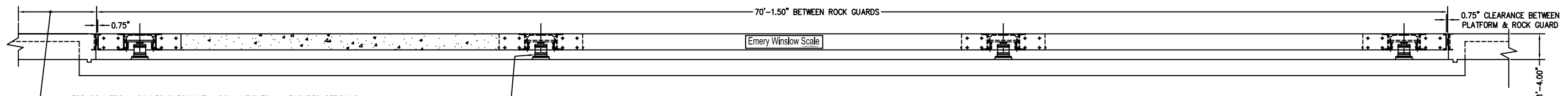


PRELIMINARY NOT FOR CONSTRUCTION

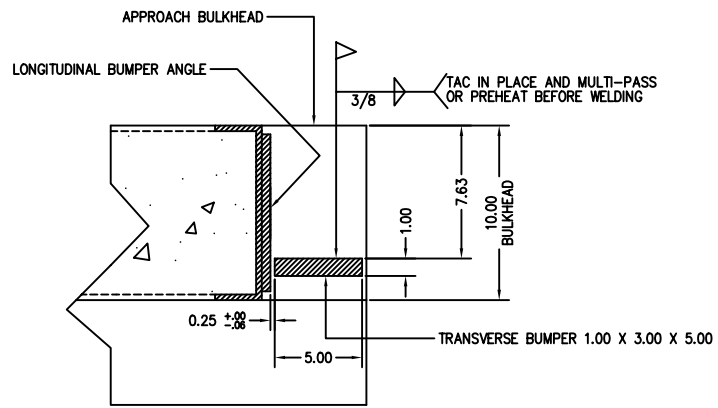


NOTE: BEFORE POURING CONCRETE FOR PLATFORM BE SURE THAT THE TOP OF THE NEST ASSEMBLIES ARE IN THE SAME PLANE AS THE SIDE CHANNELS. SOME SHIMMING UNDER THE NEST ASSEMBLIES MAY BE REQUIRED.

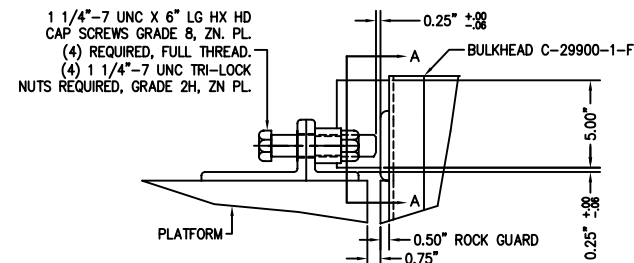


FOR COMMERCIAL SCALES CHECK WITH LOCAL WEIGHTS & MEASURES OFFICIALS BEFORE STARTING CONSTRUCTION. NATIONAL INSTITUTE OF STANDARDS & TECHNOLOGY (NIST) HANDBOOK 44 REQUIRES:  
A STRAIGHT APPROACH OF AT LEAST ONE-HALF THE LENGTH OF THE PLATFORM.  
NOT LESS THAN 10 FEET OF APPROACH ADJACENT TO THE PLATFORM TO BE LEVEL AND IN THE SAME PLANE AS THE PLATFORM.

136-75CH LOAD CELL  
QTY (8) REQUIRED  
NIST CERTIFICATE NO. 88-239

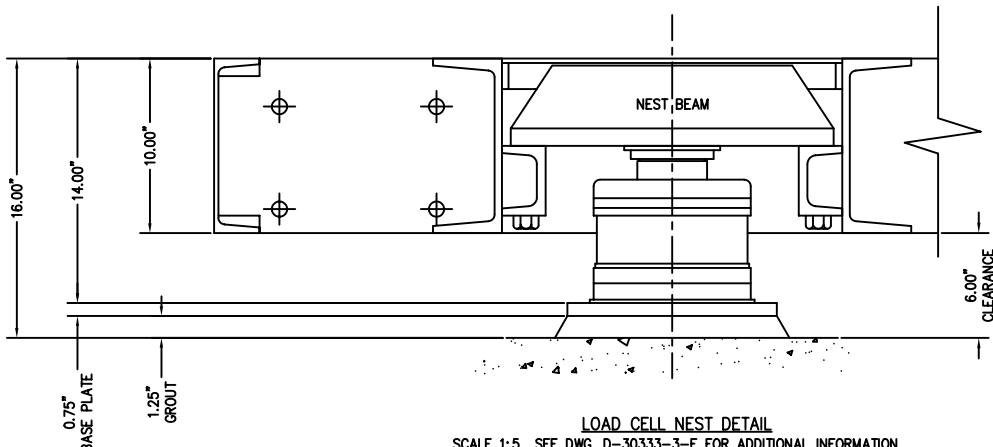


SECTION A-A FROM DETAIL A  
SCALE 1:5 ROTATED 90°  
STRIKERPLATE & CHECK BOLT NOT SHOWN. TYPICAL AT FOUR CORNERS.



DETAIL A  
SCALE 1:5

- NOTES:
- D-A3994-F SLAB FOUNDATION
  - D-A3162-E FOOTING FOUNDATION
  - A6383-1/13 SCALE PLATFORM ASSY. & INSTAL. INSTR.
  - D-30333-3-E NEST ASSEMBLY DETAIL
  - B-29932-C ANCHOR BOLT INSTALLATION
  - F987-D LOAD CELL INSTALLATION & ALIGNMENT
  - B-30740-2 HYDRAULIC JACK POSITIONS & SEQUENCES
  - B-33069-G TUBING DIAGRAM
  - B-30752-4 TARE PRESSURE & GAUGING REPORT
  - SERIES 9000 INSTRUCTION MANUAL
  - NTEP #89-014P
  - CLC = 58,000 LB
1. CONCRETE REQUIRED TO POUR PLATFORM IS 22 CUBIC YARDS.  
(MINIMUM CONCRETE STRENGTH IS 5,000 PSI AT 28 DAYS.)



LOAD CELL NEST DETAIL  
SCALE 1:5 SEE DWG. D-30333-3-E FOR ADDITIONAL INFORMATION

REV	REVISIONS UPDATED	DATE	BY
I	REVISIONS UPDATED	07/05	CEM
H	REVISIONS UPDATED	08/04	CEM
G	REVISIONS UPDATED	05/02	CEM
F	DETAIL ADDED & REV'S UPDATED	02/02	CEM
E	COMPLETE UPDATE	12/01	CEM
D	TEXT CORRECTIONS	8/00	CEM
C	DWG REV'S UPDATED	3/00	CEM
B	DETAIL UPDATED & TEXT CHANGE	11/99	CEM
A	DIM CORRECTED TO SCALE	7/98	CEM
LTR	REVISION	DATE	BY

THIS DRAWING IS THE PROPERTY OF EMERY WINSLOW SCALE COMPANY, SEYMOUR, CONNECTICUT. THE INFORMATION CONTAINED HEREIN IS CONFIDENTIAL AND IS NOT TO BE USED OR DISSEMINATED TO OTHERS WITHOUT THE EXPRESS WRITTEN CONSENT OF EMERY WINSLOW SCALE COMPANY.

ALL SHARP CORNERS AND EDGES TO BE BROKEN UNLESS OTHERWISE SPECIFIED DIMENSIONS ARE IN INCHES MACHINING FABRICATION  
±.00 ±.01 ±.03  
±.02 ±.05

EMERY WINSLOW SCALE COMPANY  
SEYMOUR, CT U.S.A. TERRE HAUTE, IN.

ASSEMBLY LAYOUT  
MODEL 94-10070 70' X 10'  
10" CONCRETE DECK

SCALE 1:30 FIRST USED ON D-30333-3-E  
DRAWN J P DATE 5/15/96  
CHECKED DATE  
ACAD FILENAME: A3161  
LAYERS USED: ALL

REV. 1

FULL SIZE PLOT D-24X36