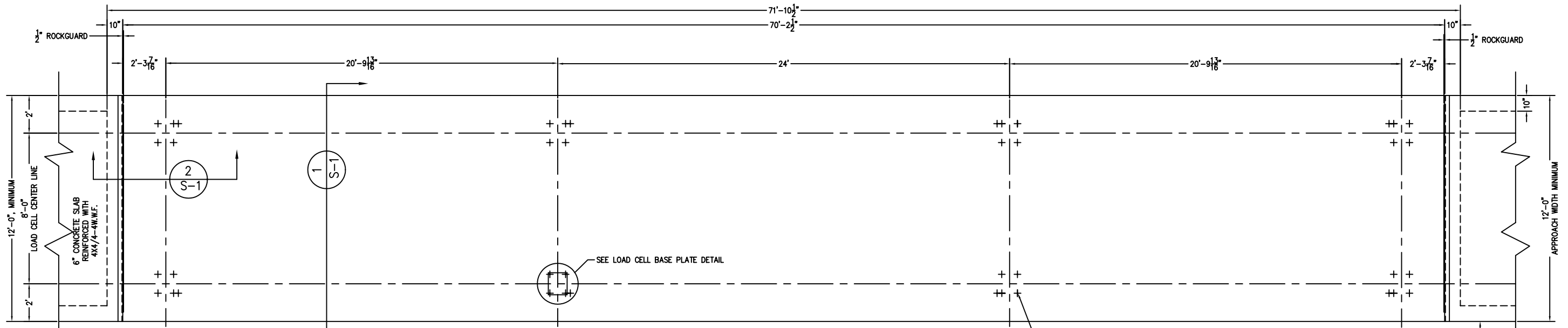
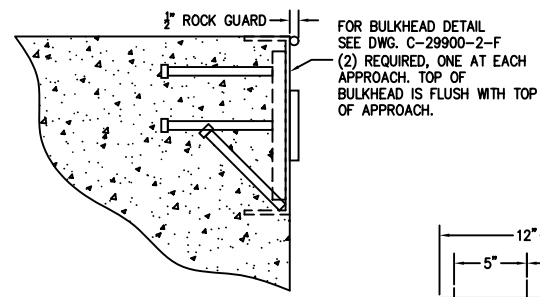
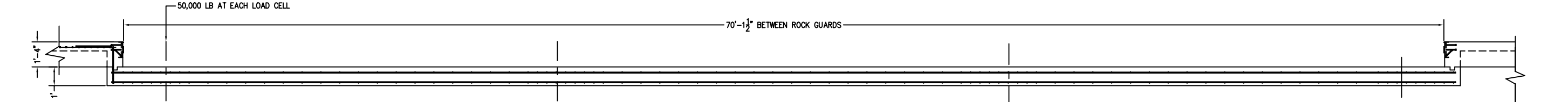


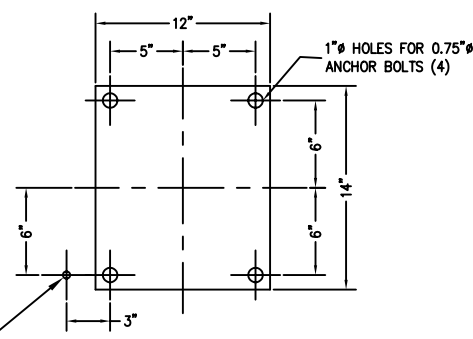
PRELIMINARY NOT FOR CONSTRUCTION



3/4" X 7" STUD ANCHORS, (32) REQUIRED.  
INSTALL AFTER FOUNDATION IS POURED  
SEE DWG. B-29932-C FOR INSTALLATION  
USING TEMPLATE SUPPLIED.



DETAIL OF BULKHEAD  
SCALE 1:5



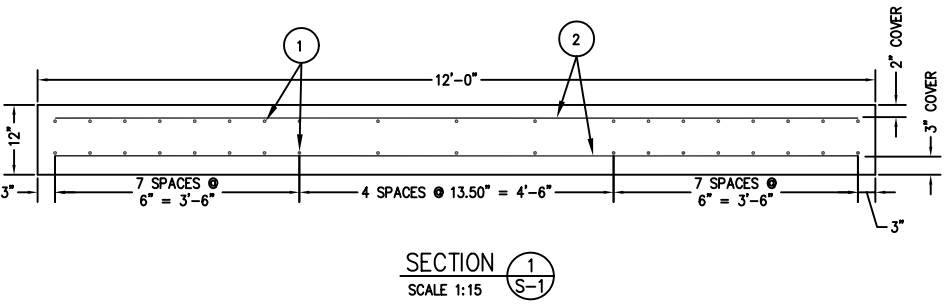
LOAD CELL BASE PLATE LAYOUT  
SEE DWG B-29932-C FOR DRILLING JIG; SCALE 1:6

1/2" PVC CONDUIT FROM LOAD CELL LOCATION TO TOTALIZER LOCATION (8) PLACES ACCURATE LOCATION REQUIRED.

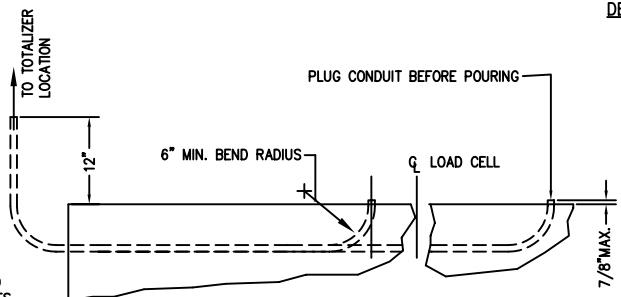
FOR NON COMMERCIAL SCALES PROVIDE AN APPROACH OF 2 FEET MINIMUM LENGTH WHICH IS LEVEL AND IN SAME PLANE AS THE PLATFORM.  
FOR COMMERCIAL SCALES CHECK WITH LOCAL WEIGHTS AND MEASURES OFFICIALS BEFORE STARTING CONSTRUCTIONS. NATIONAL INSTITUTE OF STANDARDS AND TECHNOLOGY (NIST) HANDBOOK 44 REQUIRES:  
A.) A STRAIGHT APPROACH OF AT LEAST ONE-HALF THE LENGTH OF THE PLATFORM.  
B.) NOT LESS THAN 10 FEET OF APPROACH ADJACENT TO THE PLATFORM TO BE CONSTRUCTED OF CONCRETE OR SIMILAR DURABLE MATERIAL AND BE LEVEL AND IN THE SAME PLANE AS THE PLATFORM.

- NOTES:  
1. CONCRETE STRENGTH: 4,000 PSI @ 28 DAYS  
REINFORCING ROD: GRADE 60, 60,000 PSI, ASTM A615  
2. SOIL BEARING IS ASSUMED TO BE 2,000 LBS/SQ FT. TO BE VERIFIED IN THE FIELD.  
3. SLAB TO BE FLAT WITHIN 1/4" & LEVEL WITHIN 1/8" PER 10 FT.  
4. APPROACH COPING(BULKHEAD) TO BE ON A COMMON PLANE WITHIN 1/4".  
5. TOP OF REBAR MUST BE PLACED TO CLEAR THE ANCHOR BOLTS. ANCHOR BOLTS ARE TO BE INSTALLED AFTER FOUNDATION HAS CURED.  
6. SEE SPEC. A499-364-2 FOR ON SITE SUBSURFACE CONDITIONS.  
7. THE LENGTH FOR REBAR NO. 1 IS MINIMUM FOR 76 PIECES LAPPED. LONGER LAPS AND/OR PIECES MAY BE USED. MINIMUM LAP IS 26".

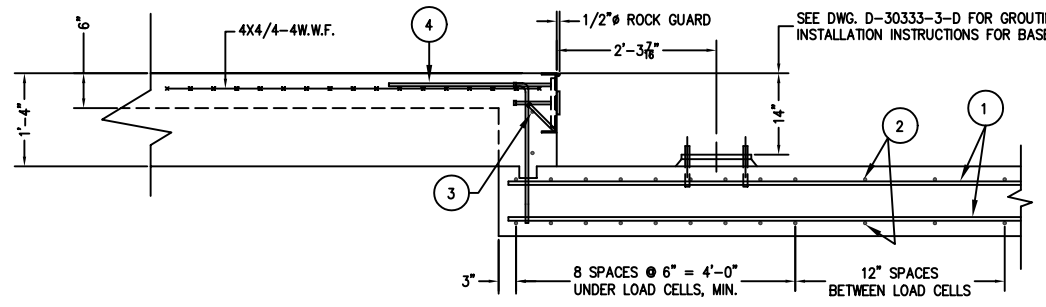
REFERENCE DRAWINGS:  
D-70144-E OUTLINE ARRANGEMENT  
B-29932-C ANCHOR BOLT INSTALLATION  
C-29900-2-F BULKHEAD DETAIL



SECTION 1  
SCALE 1:15  
S-1



SECTION THRU SHORT  
1/2" PVC CONDUIT (8) REQ.  
SCALE 1:12  
CONTINUOUS RUN FROM LOAD CELL TO TOTALIZER LOCATION



SECTION 2  
SCALE 1:15  
S-1

MATERIAL REQUIREMENTS		TOTAL WT. OF REBAR		5132
CONCRETE:				
APPROACHES	7 CU. YDS	4	4'-0" 2'-0"	53
FOUNDATION	32 CU. YDS	3	4 5 11'-6"	48
REINFORCING:		2	176 5 11'-6"	2111
REBAR	5132 LB	1	76 5 36'-10" (26" MINIMUM OVERLAP)	2920
4X4/4-4W.W.F.	240 SQ FT			
PIECE NO.	QTY	BAR SIZE	LENGTH & DESCRIPTION	WT.

REV'S	UPDATED	FRACTIONAL IN.	WERE DEC.	06/05	CEM
E	NOTE 7 ADDED, REVISIONS UPDATED			07/04	CEM
D	COMPLETE UPDATE			06/02	CES
C	DETAILS AND APPROACH REVISED			09/00	CES
B	BULKHEAD UPDATED			11/99	CES
A	REVISION			DATE	BY
LTR					

THIS DRAWING IS THE PROPERTY OF EMERY WINSLOW SCALE COMPANY, SEYMOUR, CONNECTICUT. THE INFORMATION CONTAINED HEREIN IS CONFIDENTIAL AND IS NOT TO BE USED OR DISSEMINATED TO OTHERS WITHOUT THE EXPRESS WRITTEN CONSENT OF EMERY WINSLOW SCALE COMPANY.

ALL SHARP CORNERS AND EDGES TO BE BROKEN  
UNLESS OTHERWISE SPECIFIED DIMENSIONS ARE IN INCHES  
MACHINING FABRICATION  
± .005 ± .13  
DRAWN CES DATE 9/14/98  
CHECKED DATE  
ACAD FILENAME: 100293  
LAYERS USED: ALL

FULL SIZE PLOT D-24X36  
EMERY WINSLOW SCALE COMPANY  
SEYMOUR, CT U.S.A TERRE HAUTE, IN.  
FOUNDATION PLAN 70' X 11'  
MODEL 94-10070 -11  
SLAB CONSTRUCTION  
SCALE 1:30 FIRST USED ON DRAWING NO. D-70145 REV. E