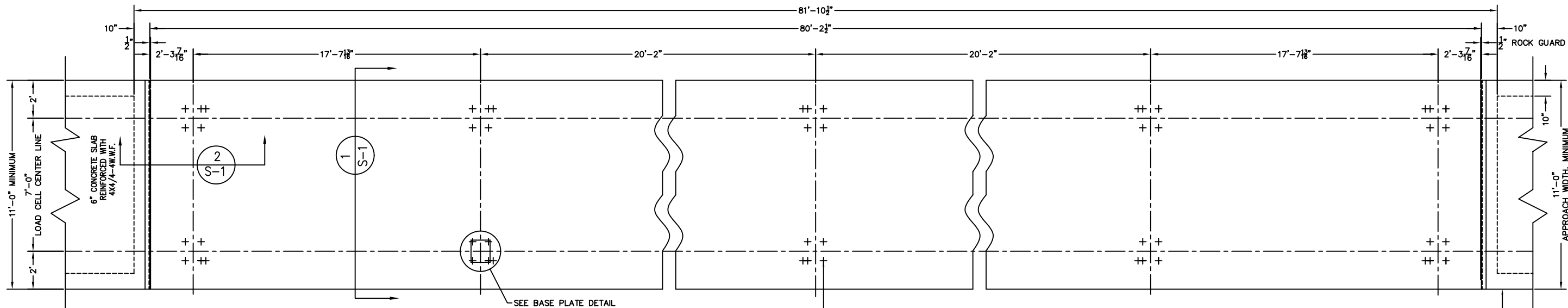
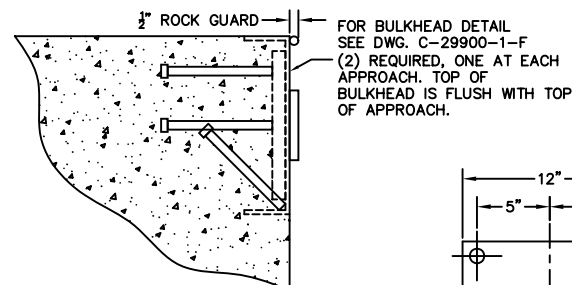
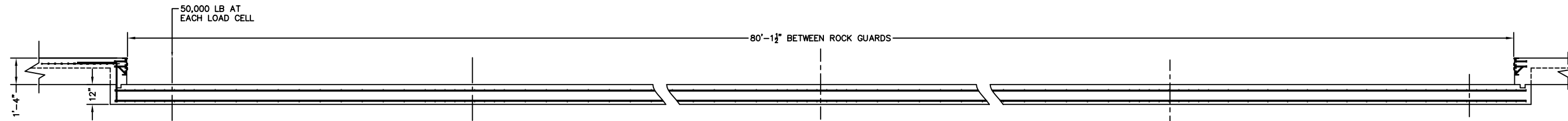


PRELIMINARY NOT FOR CONSTRUCTION



3/4" X 7" STUD ANCHORS, (40) REQUIRED.
INSTALL AFTER FOUNDATION IS POURED
SEE DWG. B-29932-C FOR INSTALLATION
USING TEMPLATE SUPPLIED.

11' X 10' APPROACH APRON
w/10" X 16" GRADE BEAM
AT PERIMETER

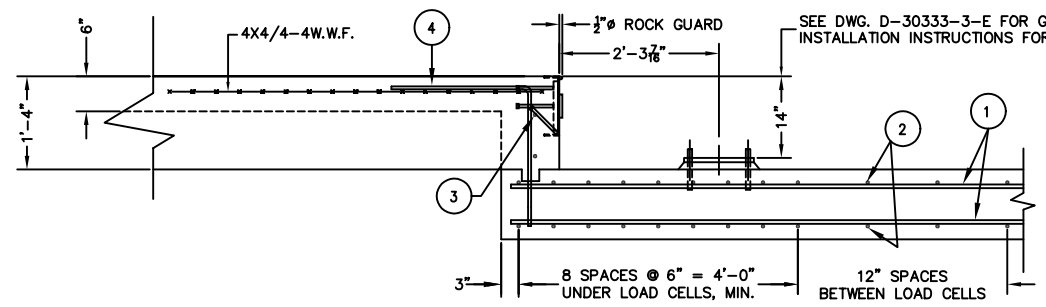
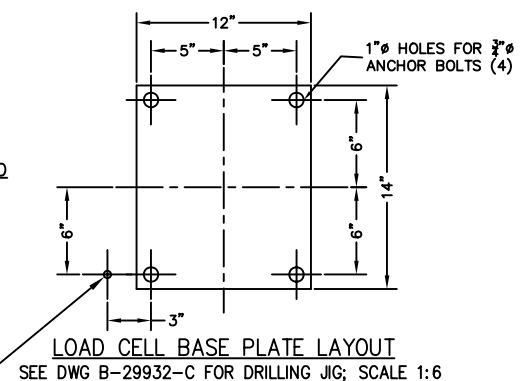
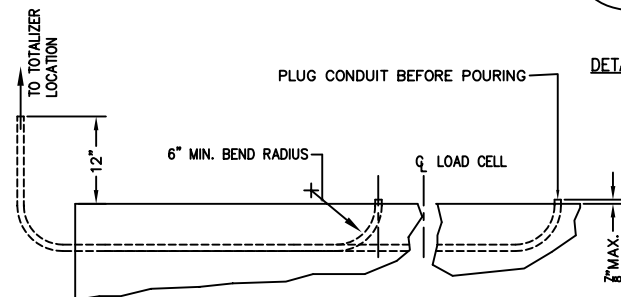
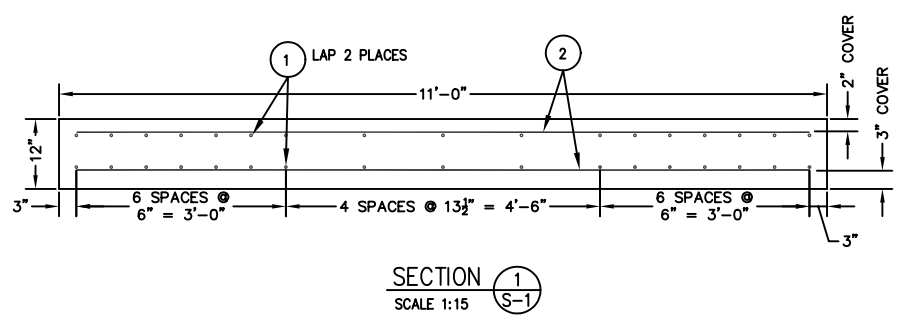


FOR NON COMMERCIAL SCALES PROVIDE AN APPROACH OF 2 FEET
MINIMUM LENGTH WHICH IS LEVEL AND IN SAME PLANE AS THE
PLATFORM.

FOR COMMERCIAL SCALES CHECK WITH LOCAL WEIGHTS AND MEASURES
OFFICIALS BEFORE STARTING CONSTRUCTIONS. NATIONAL INSTITUTE
OF STANDARDS AND TECHNOLOGY (NIST) HANDBOOK 44 REQUIRES:
A.) A STRAIGHT APPROACH OF AT LEAST ONE-HALF THE
LENGTH OF THE PLATFORM.
B.) NOT LESS THAN 10 FEET OF APPROACH ADJACENT TO
THE PLATFORM TO BE CONSTRUCTED OF CONCRETE OR
SIMILAR DURABLE MATERIAL AND BE LEVEL AND IN
THE SAME PLANE AS THE PLATFORM.

NOTES:
1. CONCRETE STRENGTH: 4,000 PSI @ 28 DAYS
REINFORCING ROD: GRADE 60, 60,000 PSI, ASTM A615
2. SOIL BEARING IS ASSUMED TO BE 2,000 LBS/SQ FT. TO BE
VERIFIED IN THE FIELD.
3. SLAB TO BE FLAT WITHIN 1/4" & LEVEL WITHIN 1/8" PER 10 FT.
4. APPROACH COPING(BULKHEAD) TO BE ON A COMMON PLANE WITHIN 1/4".
5. TOP OF REBAR MUST BE PLACED TO CLEAR THE ANCHOR BOLTS.
ANCHOR BOLTS ARE TO BE INSTALLED AFTER FOUNDATION HAS CURED.
6. SEE SPEC. A499-364-2 FOR ON SITE SUBSURFACE CONDITIONS.
7. THE LENGTH FOR REBAR NO. 1 IS MINIMUM FOR 102 PIECES LAPPED.
LONGER LAPS AND/OR PIECES MAY BE USED. MINIMUM LAP IS 26".

REFERENCE DRAWINGS:
D-70916-C OUTLINE ARRANGEMENT
B-29932-C ANCHOR BOLT INSTALLATION
C-29900-1-F BULKHEAD DETAIL



MATERIAL REQUIREMENTS		TOTAL WT. OF REBAR		5372
CONCRETE:				
APPROACHES	6 CU. YDS	4	20	4'-0"
FOUNDATION	34 CU. YDS	3	4	5
		2	204	5
REINFORCING:		1	102	5
REBAR	5372 LB			28'-7"
4X4/4-4WWF	220 SQ FT			(26" MINIMUM OVERLAP)
		PIECE NO.	QTY	BAR SIZE
				LENGTH & DESCRIPTION
				WT.

REVISION	DATE	BY	DESCRIPTION
B	07/05	CEM	FRACTIONAL IN'S WERE DEC.
A	10/02	CEM	REFERENCE DWG REV'S UPDATED

ALL SHARP CORNERS AND EDGES TO BE BROKEN
UNLESS OTHERWISE SPECIFIED DIMENSIONS ARE IN INCHES
MACHINING FABRICATION
± .13
± .02

THIS DRAWING IS THE PROPERTY OF EMERY WINSLOW SCALE COMPANY, SEYMOUR, CONNECTICUT. THE INFORMATION CONTAINED HEREIN IS CONFIDENTIAL AND IS NOT TO BE USED OR DISSEMINATED TO OTHERS WITHOUT THE EXPRESS WRITTEN CONSENT OF EMERY WINSLOW SCALE COMPANY.

SCALE FIRST USED ON DRAWING NO. D-70917
PLOT 1:30 NTS

EMERY WINSLOW SCALE COMPANY
SEYMOUR, CT U.S.A. TERRE HAUTE, IN.

FOUNDATION PLAN 80' X 10'
MODEL 95-10080-10
SLAB CONSTRUCTION

REV. B

FULL SIZE PLOT D-24X36