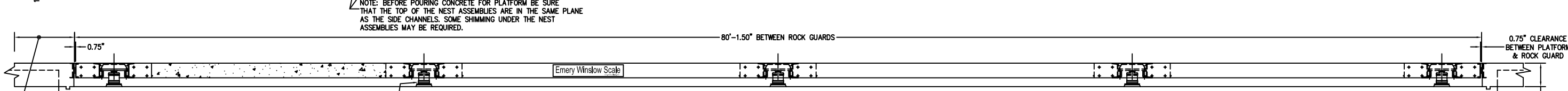
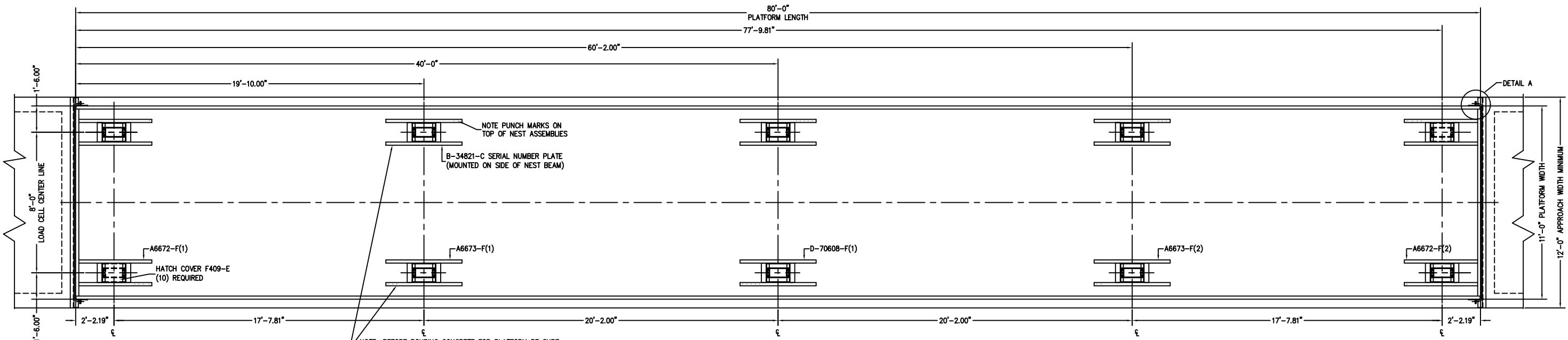


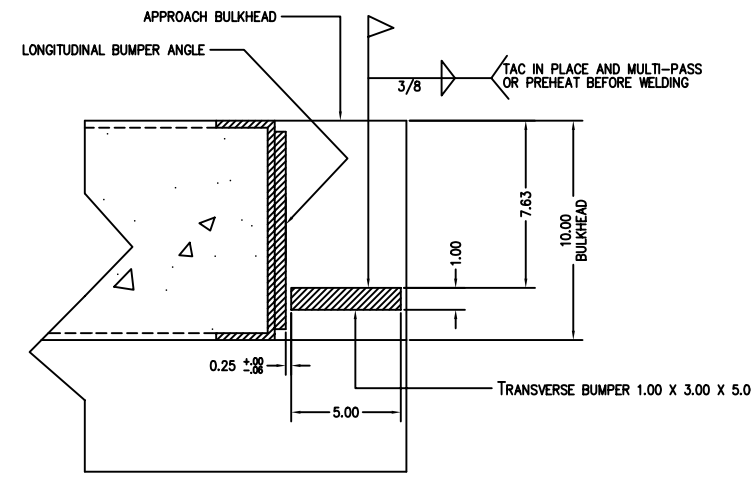
PRELIMINARY NOT FOR CONSTRUCTION



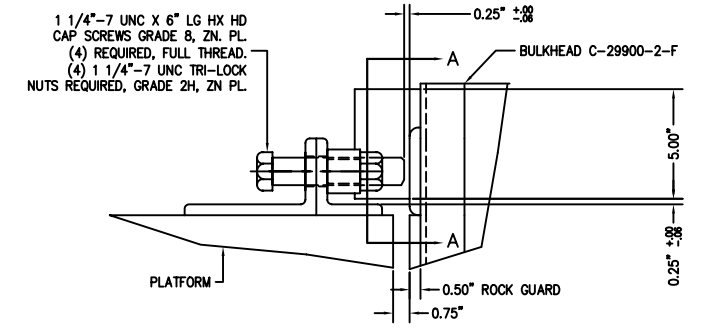
FOR COMMERCIAL SCALES CHECK WITH LOCAL WEIGHTS & MEASURES OFFICIALS BEFORE STARTING CONSTRUCTION. NATIONAL INSTITUTE OF STANDARDS & TECHNOLOGY (NIST) HANDBOOK 44 REQUIRES:
 A STRAIGHT APPROACH OF AT LEAST ONE-HALF THE LENGTH OF THE PLATFORM. NOT LESS THAN 10 FEET OF APPROACH ADJACENT TO THE PLATFORM TO BE LEVEL AND IN THE SAME PLANE AS THE PLATFORM.

NOTE: BEFORE POURING CONCRETE FOR PLATFORM BE SURE THAT THE TOP OF THE NEST ASSEMBLIES ARE IN THE SAME PLANE AS THE SIDE CHANNELS. SOME SHIMMING UNDER THE NEST ASSEMBLIES MAY BE REQUIRED.

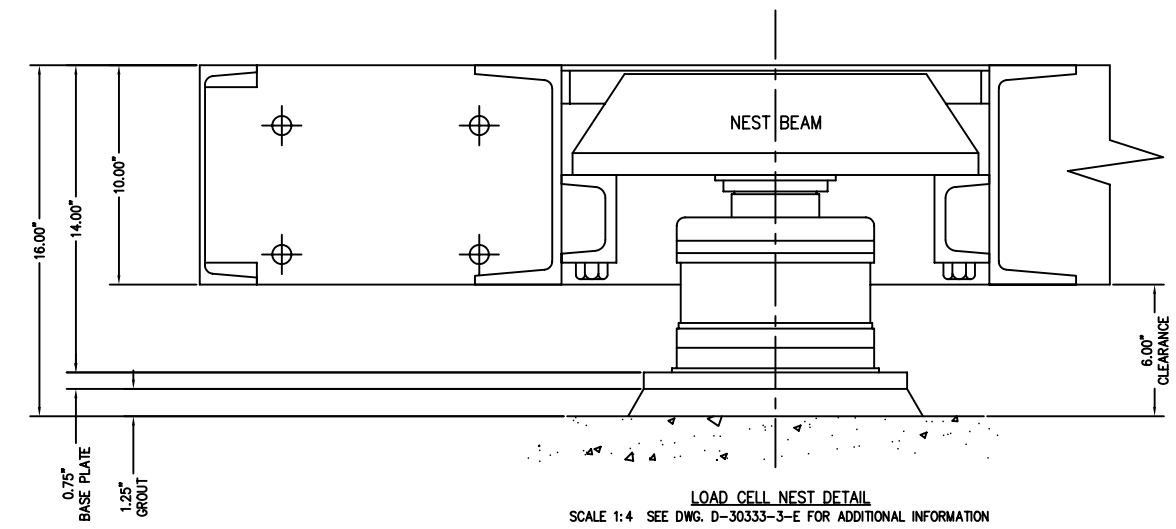
136-75CH LOAD CELL
 QTY (10) REQUIRED
 NIST CERTIFICATE NO. 88-239



SECTION A-A FROM DETAIL A
 SCALE 1:4 ROTATED 90°
 STRIKERPLATE & CHECK BOLT NOT SHOWN. TYPICAL AT FOUR CORNERS.



DETAIL A
 SCALE 1:4



LOAD CELL NEST DETAIL
 SCALE 1:4 SEE DWG. D-30333-3-E FOR ADDITIONAL INFORMATION

- NOTES:
- D-70462-B SLAB FOUNDATION
 - D-70463-1/13 SCALE PLATFORM ASSY. & INSTAL. INSTR.
 - D-30333-3-E NEST ASSEMBLY DETAIL
 - B-29932-C ANCHOR BOLT INSTALLATION
 - F987-D LOAD CELL INSTALLATION & ALIGNMENT
 - B-30740-5 HYDRAULIC JACK POSITIONS & SEQUENCES
 - B-33069-3-G TUBING DIAGRAM
 - B-70352-5 TARE PRESSURE & GAUGING REPORT
 - SERIES 9000 INSTRUCTION MANUAL
 - NTEP #89-014P
 - CLC = 58,000 LB
1. CONCRETE REQUIRED TO POUR PLATFORM IS 28 CUBIC YARDS. (MINIMUM CONCRETE STRENGTH IS 5,000 PSI AT 28 DAYS.)

ALL SHARP CORNERS AND EDGES TO BE BROKEN				FULL SIZE PLOT D-24X36	
C	REFERENCE DWG REV.'S UPDATED	07/05	CEM	EMERY WINSLOW SCALE COMPANY SEYMOUR, CT U.S.A. TERRE HAUTE, IN.	
B	REFERENCE DWG REV.'S UPDATED	08/04	CEM	UNLESS OTHERWISE SPECIFIED DIMENSIONS ARE IN INCHES	
A	COMPLETE UPDATE	03/02	CES	MACHINING FABRICATION ±.00 ±.01 ±.00 ±.005 ±.13	
LTR	REVISION	DATE	BY	DRAWN	CES DATE 10/22/99
THIS DRAWING IS THE PROPERTY OF EMERY WINSLOW SCALE COMPANY SEYMOUR, CONNECTICUT. THE INFORMATION CONTAINED HEREIN IS CONFIDENTIAL AND IS NOT TO BE USED OR DISSEMINATED TO OTHERS WITHOUT THE EXPRESS WRITTEN CONSENT OF EMERY WINSLOW SCALE COMPANY.				CHECKED	DATE
				ACAD FILENAME:	T00598
				LAYERS USED:	ALL
SCALE		1:32	FIRST USED ON	DRAWING NO.	D-70461
REV.		C			