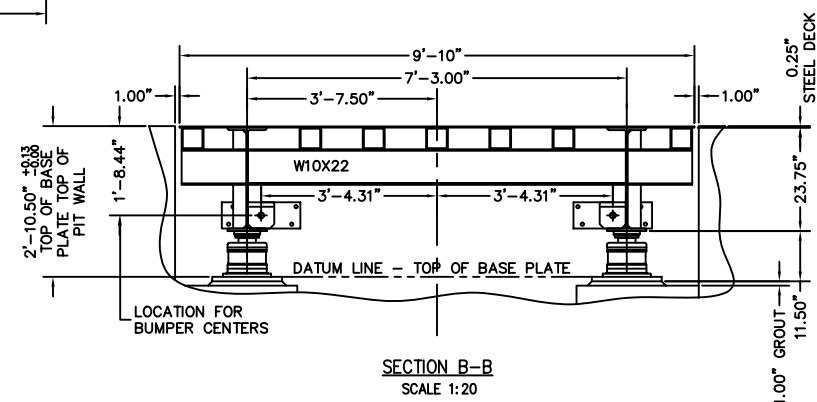
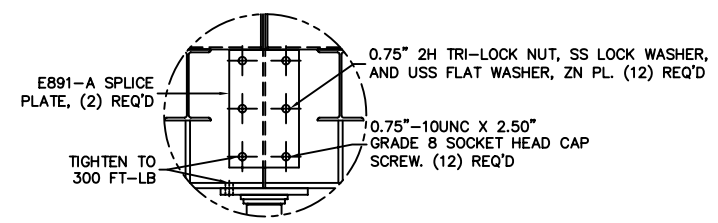
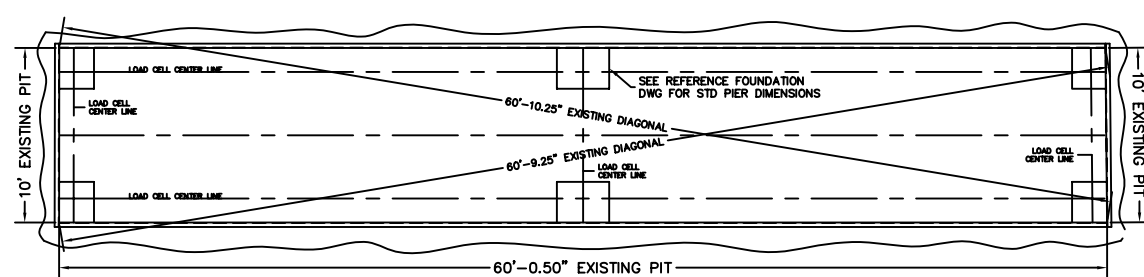
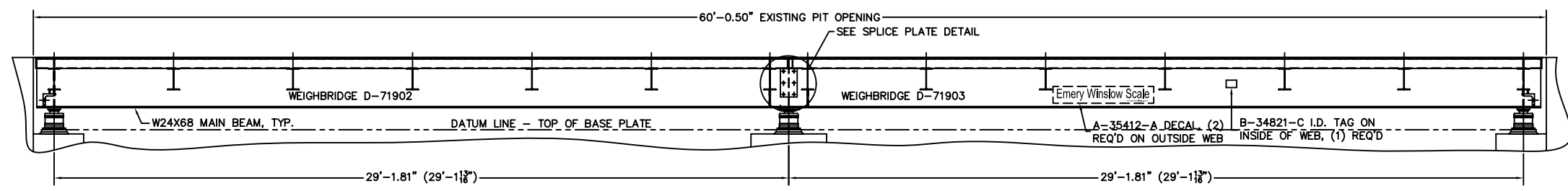
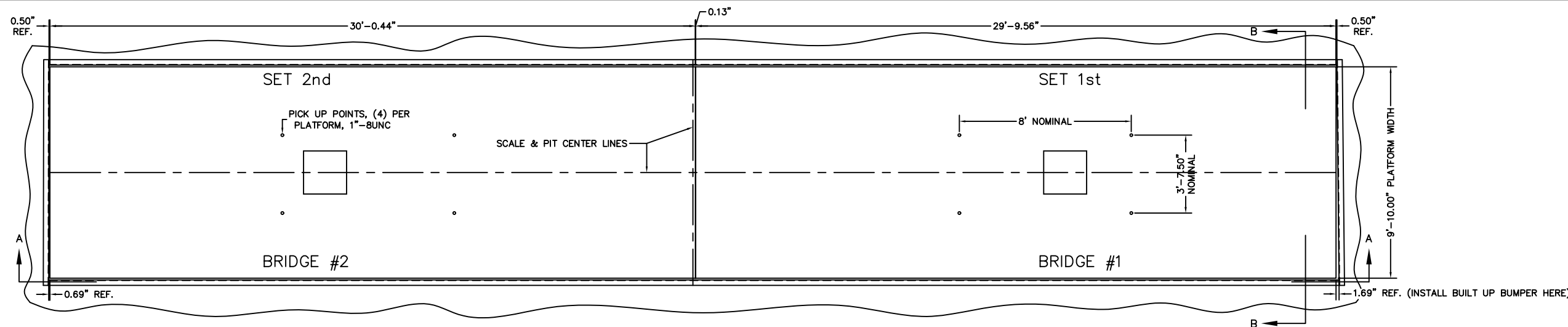
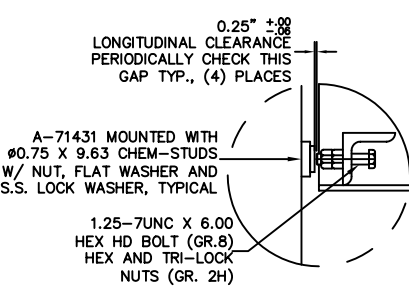
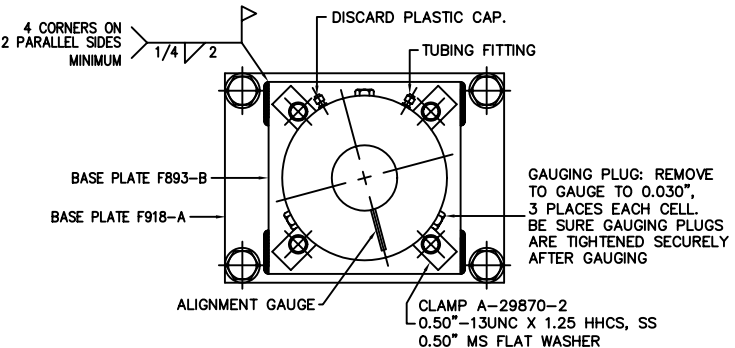
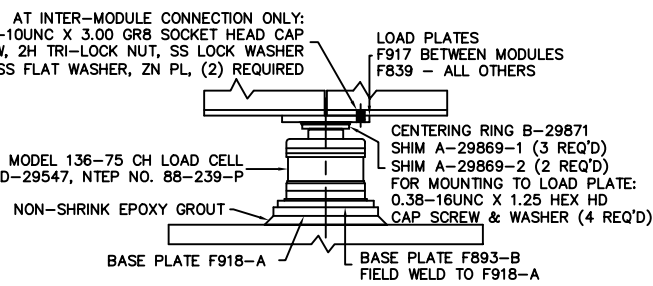
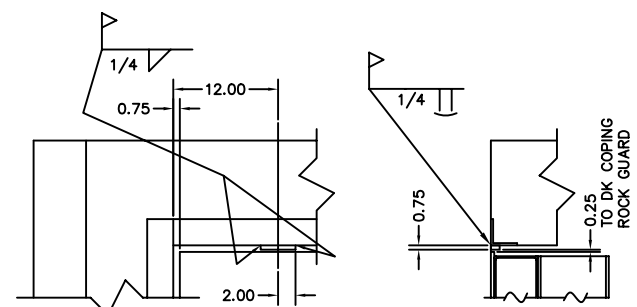


PRELIMINARY NOT FOR CONSTRUCTION



- NOTES:**
- REFERENCE INFORMATION:  
 REF. FOUNDATION PLAN D-71904  
 PIPING DIAGRAM (3 SECTION) B-33069-1-G  
 APPROACH D342-1  
 LOAD CELL INSTALLATION INSTR. F987-D  
 NTEP NUMBER 92-086PA2  
 CLC 50,000  
 LOADING AT EACH LOAD CELL 50,000 LB
  - CRANE CAPACITY & INSTALLATION NOTES:  
 THE MINIMUM CAPACITY IS 12,600 LB, LARGEST PIECE APPROXIMATELY 30' X 10' X 2'  
 INSTALL THE BRIDGES IN THE ORDER SHOWN IN THE PLAN VIEW. THE FIRST BRIDGE IS #1  
 & HAS (4) LOAD PLATES WITH SHIM AND CENTERING RINGS ATTACHED. THESE (4) LOAD PLATES  
 WOULD REST ATOP THE (4) LOAD CELLS IN THE TWO SECTIONS THAT SUPPORT BRIDGE #1.  
 PICK UPS ARE IN TOP OF DECK.
  - FOR COMMERCIAL SCALES CHECK WITH LOCAL WEIGHTS AND MEASURES OFFICIALS BEFORE  
 STARTING CONSTRUCTION. NATIONAL BUREAU OF STANDARDS HANDBOOK 44 REQUIRES:  
 A.) A STRAIGHT APPROACH OF AT LEAST ONE-HALF THE LENGTH OF THE PLATFORM.  
 B.) NOT LESS THAN 10 FEET OF APPROACH ADJACENT TO THE PLATFORM TO BE  
 CONSTRUCTED OF CONCRETE OR SIMILAR DURABLE MATERIAL AND BE LEVEL AND IN THE  
 SAME PLANE AS THE PLATFORM.  
 FOR NON COMMERCIAL SCALES PROVIDE AN APPROACH OF 2 FEET MINIMUM LENGTH  
 WHICH IS LEVEL AND IN THE SAME PLANE AS THE PLATFORM.
  - CHECK WITH THE PROPER REGULATORY AUTHORITIES AS TO ANY SPECIAL STATE  
 OR OTHER REGULATORY REQUIREMENTS REGARDING PIT DEPTHS. PIT CONSTRUCTION  
 AND APPROACH DIMENSIONS WHICH MIGHT AFFECT INSTALLATION ARE SHOWN.  
 EMERY WINSLOW WILL ASSUME NO RESPONSIBILITY FOR CHANGES NECESSITATED BY  
 ANY STATE OR ANY OTHER REGULATORY REQUIREMENTS AS TO INSTALLATION  
 OF OUR SCALES.



ALL SHARP CORNERS AND EDGES TO BE BROKEN				EMERY WINSLOW SCALE COMPANY SEYMOUR, CT U.S.A. TERRE HAUTE, IN.	
UNLESS OTHERWISE SPECIFIED DIMENSIONS ARE IN INCHES				MODEL 43-7560-10-X, 1/4" ASD OUTLINE/FOUNDATION PLAN 75 TON, NOMINAL 60' X 10' PREPARED FOR EXISTING FOUNDATION	
MACHINING	FABRICATION	DRAWN		DATE	SCALE
±.005	±.01	CEM		09/30/05	FIRST USED ON
CHECKED		DATE		ACAD FILENAME:	T02038
LAYERS USED:		ALL		DRAWING NO.	D-71901
THIS DRAWING IS THE PROPERTY OF EMERY WINSLOW SCALE COMPANY, SEYMOUR, CONNECTICUT. THE INFORMATION CONTAINED HEREIN IS CONFIDENTIAL AND IS NOT TO BE USED OR DISSEMINATED TO OTHERS WITHOUT THE EXPRESS WRITTEN CONSENT OF EMERY WINSLOW SCALE COMPANY.				REV.	