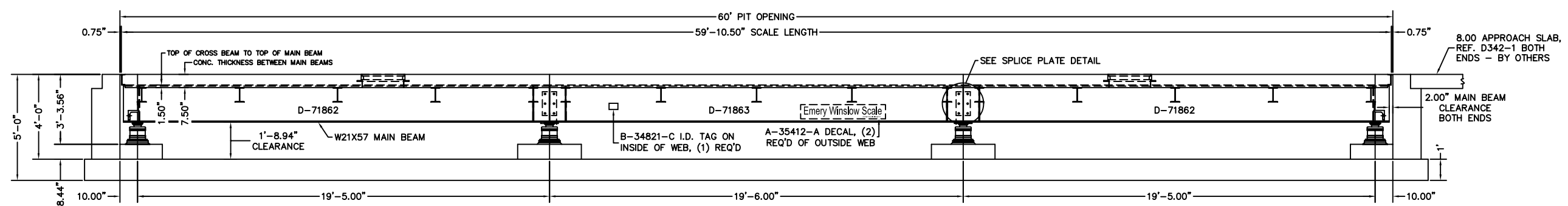
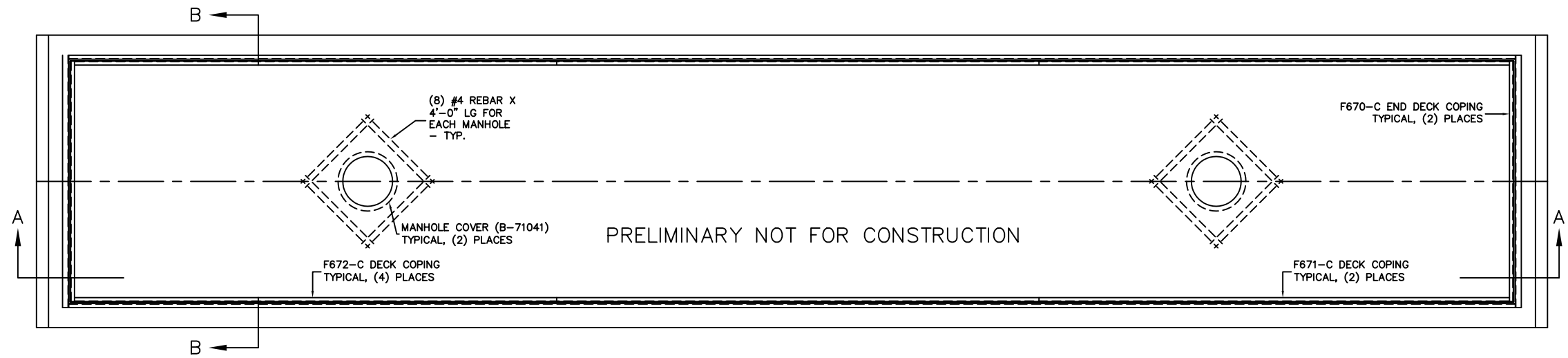


PRELIMINARY NOT FOR CONSTRUCTION



The information provided on this drawing is PROPRIETARY and is to be used for reference, quotation, and project layout only. NOT FOR CONSTRUCTION. Certified drawings will be provided for construction on each project once all parameters are completely satisfied by the Engineering Department of The Emery Winslow Scale Co.

NOTES:

- REFERENCE INFORMATION:

FOUNDATION PLAN	D-71861
PIPING DIAGRAM (4 SECTION)	B-33069-G
DECK REINFORCING DETAIL	D-A5928 Line 4
DECK CHANNEL INSTALLATION	D-9302B-G
APPROACH	D342-1
LOAD CELL INSTALLATION INSTR.	F987-D
NTEP NUMBER	92-086PA2
CLC	65,000
LOADING AT EACH LOAD CELL	50,000 LB
- CRANE CAPACITY & INSTALLATION NOTES:

THE MINIMUM CAPACITY IS 3100 LB, LARGEST PIECE APPROXIMATELY 21' X 8' X 2'

SET TWO END BRIDGES FIRST, FOLLOWED BY THE CENTER BRIDGE SUCH THAT THE CENTER BRIDGE IS CONNECTED TO THE END BRIDGES BY THE FOUR (4) LOAD PLATES WITH CENTERING RINGS ET AL. ALIGN BRIDGES AND INSTALL SPLICE PLATES.

LIFT BRIDGES MADE FOR CONCRETE DECKS BY (4) LOOPS ON THE MAIN BEAMS. LIFT BRIDGES MADE FOR STEEL DECKS BY THE STRINGERS.

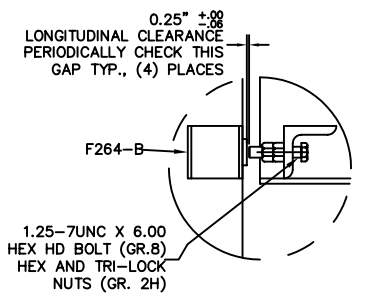
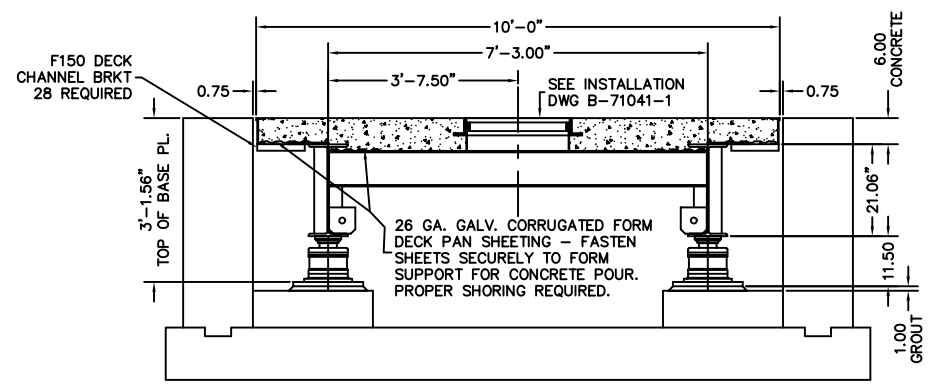
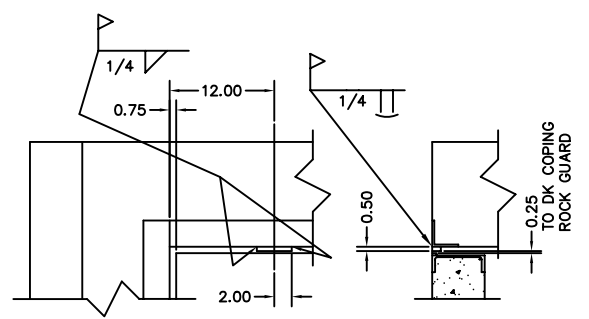
INSTALL BRIDGE(S) BEFORE INSTALLING THE DECK.
- FOR COMMERCIAL SCALES CHECK WITH LOCAL WEIGHTS AND MEASURES OFFICIALS BEFORE STARTING CONSTRUCTION. NATIONAL BUREAU OF STANDARDS HANDBOOK 44 REQUIRES:

A.) A STRAIGHT APPROACH OF AT LEAST ONE-HALF THE LENGTH OF THE PLATFORM.

B.) NOT LESS THAN 10 FEET OF APPROACH ADJACENT TO THE PLATFORM TO BE CONSTRUCTED OF CONCRETE OR SIMILAR DURABLE MATERIAL AND BE LEVEL AND IN THE SAME PLANE AS THE PLATFORM.

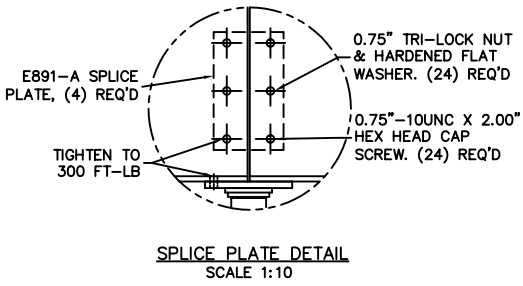
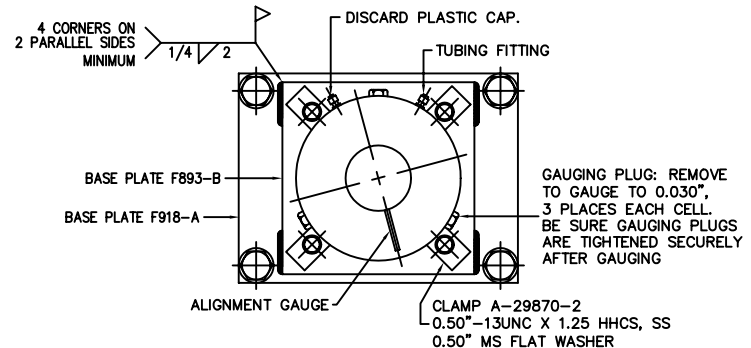
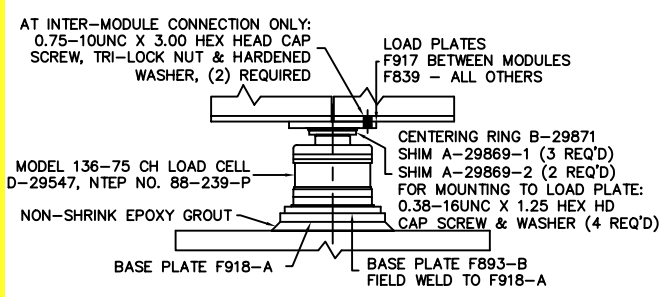
FOR NON COMMERCIAL SCALES PROVIDE AN APPROACH OF 2 FEET MINIMUM LENGTH WHICH IS LEVEL AND IN THE SAME PLANE AS THE PLATFORM.
- CHECK WITH THE PROPER REGULATORY AUTHORITIES AS TO ANY SPECIAL STATE OR OTHER REGULATORY REQUIREMENTS REGARDING PIT DEPTHS. PIT CONSTRUCTION AND APPROACH DIMENSIONS WHICH MIGHT AFFECT INSTALLATION ARE SHOWN. EMERY WINSLOW WILL ASSUME NO RESPONSIBILITY FOR CHANGES NECESSITATED BY ANY STATE OR ANY OTHER REGULATORY REQUIREMENTS AS TO INSTALLATION OF OUR SCALES.

PRELIMINARY NOT FOR CONSTRUCTION



TYPICAL CORNER DETAIL SHOWING INSTALLATION OF TRANSVERSE CHECKING BUMPER PLATE (0.50 X 1.00 X 4.00) (4) REQUIRED PER PLATFORM

SCALE 1:10



PRELIMINARY NOT FOR CONSTRUCTION

ALL SHARP CORNERS AND EDGES TO BE BROKEN				EMERY WINSLOW SCALE COMPANY	
UNLESS OTHERWISE SPECIFIED DIMENSIONS ARE IN INCHES				SEYMOUR, CT U.S.A. TERRE HAUTE, IN.	
MACHINING		FABRICATION		MODEL 44-10060-10 CD	
±.002		±.13		60' X 10', 100 TON, 6" CD	
DRAWN CEM		DATE 08/04/05		OUTLINE w/4' PIT	
CHECKED		DATE		SCALE FIRST USED ON DRAWING NO.	
ACAD FILENAME: T01997				D-71860	
LAYERS USED: ALL				REV.	