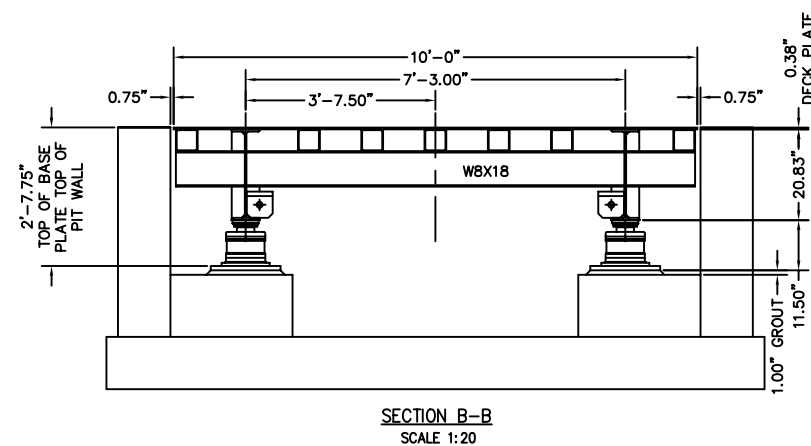
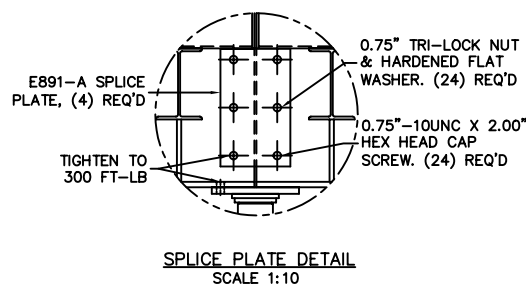
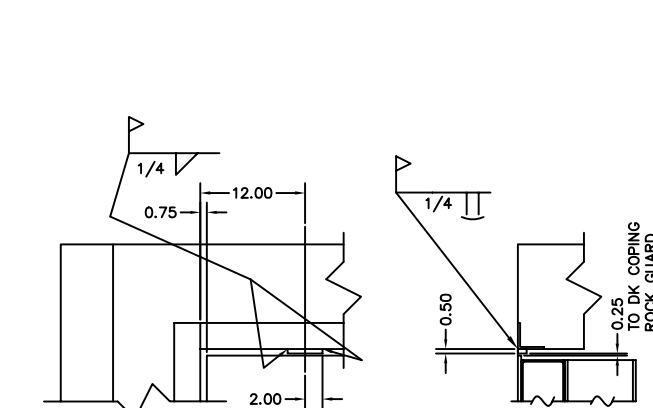
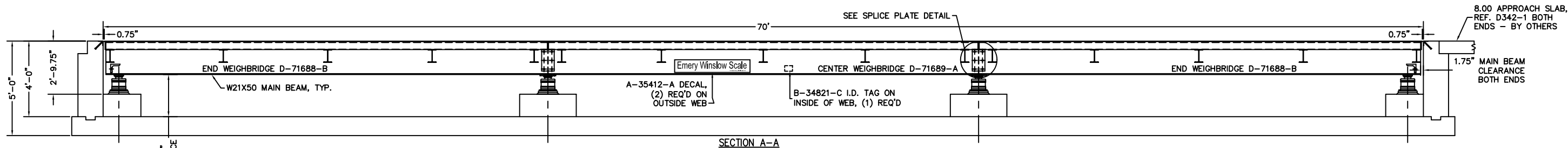
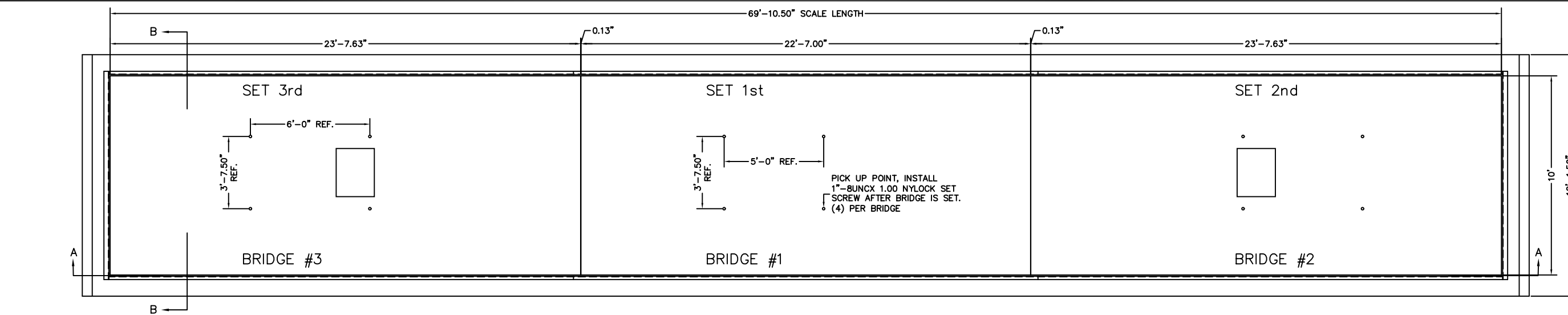


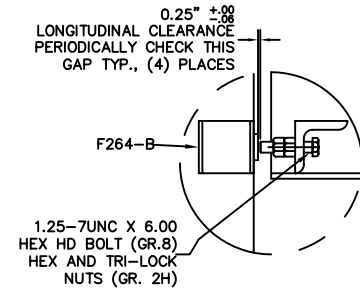
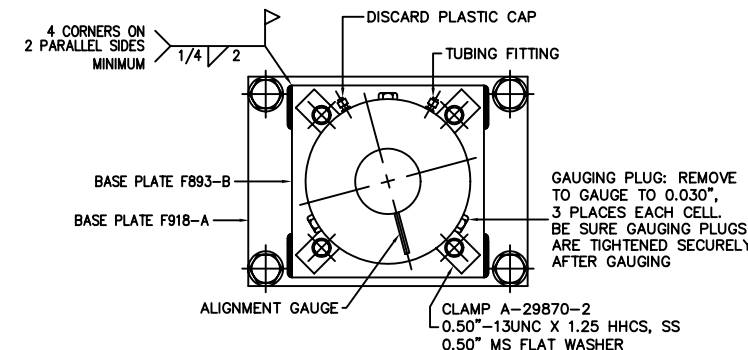
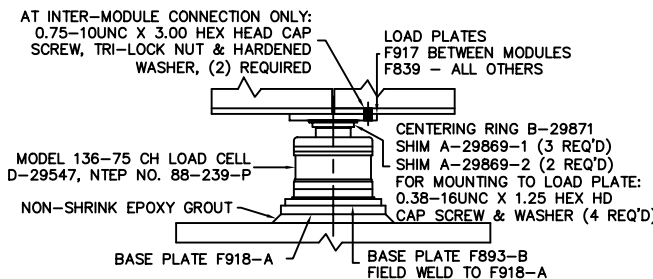
PRELIMINARY NOT FOR CONSTRUCTION



TYPICAL CORNER DETAIL SHOWING INSTALLATION OF TRANSVERSE CHECKING BUMPER PLATE (0.50 X 1.00 X 4.00) (4) REQUIRED PER PLATFORM SCALE 1:10

SPLICE PLATE DETAIL SCALE 1:10

SECTION B-B SCALE 1:20



- NOTES:**
- REFERENCE INFORMATION:
 - FOUNDATION PLAN D-71687-A
 - PIPING DIAGRAM (4 SECTION) B-33069-G
 - APPROACH D342-1
 - LOAD CELL INSTALLATION INSTR. F987-D
 - NTEP NUMBER 92-086PA2
 - CLC 80,000
 - LOADING AT EACH LOAD CELL 50,000 LB
 - CRANE CAPACITY & INSTALLATION NOTES:
 - THE MINIMUM CAPACITY IS 10100 LB, LARGEST PIECE APPROXIMATELY 24' X 10' X 2'
 - INSTALL THE BRIDGES IN THE ORDER SHOWN IN THE PLAN VIEW. THE FIRST BRIDGE IS #1 & HAS (4) LOAD PLATES WITH SHIM AND CENTERING RINGS ATTACHED. THESE (4) LOAD PLATES WOULD REST ATOP THE (4) LOAD CELLS IN THE TWO SECTIONS THAT SUPPORT BRIDGE #1. PICK UPS ARE IN TOP OF DECK.
 - FOR COMMERCIAL SCALES CHECK WITH LOCAL WEIGHTS AND MEASURES OFFICIALS BEFORE STARTING CONSTRUCTION. NATIONAL BUREAU OF STANDARDS HANDBOOK 44 REQUIRES:
 - A.) A STRAIGHT APPROACH OF AT LEAST ONE-HALF THE LENGTH OF THE PLATFORM.
 - B.) NOT LESS THAN 10 FEET OF APPROACH ADJACENT TO THE PLATFORM TO BE CONSTRUCTED OF CONCRETE OR SIMILAR DURABLE MATERIAL AND BE LEVEL AND IN THE SAME PLANE AS THE PLATFORM.
 FOR NON COMMERCIAL SCALES PROVIDE AN APPROACH OF 2 FEET MINIMUM LENGTH WHICH IS LEVEL AND IN THE SAME PLANE AS THE PLATFORM.
 - CHECK WITH THE PROPER REGULATORY AUTHORITIES AS TO ANY SPECIAL STATE OR OTHER REGULATORY REQUIREMENTS REGARDING PIT DEPTHS. PIT CONSTRUCTION AND APPROACH DIMENSIONS WHICH MIGHT AFFECT INSTALLATION ARE SHOWN. EMERY WINSLOW WILL ASSUME NO RESPONSIBILITY FOR CHANGES NECESSITATED BY ANY STATE OR ANY OTHER REGULATORY REQUIREMENTS AS TO INSTALLATION OF OUR SCALES.

FULL SIZE PLOT D-24X36

ALL SHARP CORNERS AND EDGES TO BE BROKEN				EMERY WINSLOW SCALE COMPANY SEYMOUR, CT U.S.A TERRE HAUTE, IN.			
UNLESS OTHERWISE SPECIFIED DIMENSIONS ARE IN INCHES				MODEL 44-10070-10 70' X 10', 100 TON & 3/8" SD OUTLINE ARRANGEMENT w/4' PIT			
A	DETAILS UPDATED TO MATCH NEW WB DESIGN	02/05	CEM	MACHINING	FABRICATION		
LTR	REVISION	DATE	BY	±.13	±.13		
THIS DRAWING IS THE PROPERTY OF EMERY WINSLOW SCALE COMPANY, SEYMOUR, CONNECTICUT. THE INFORMATION CONTAINED HEREIN IS CONFIDENTIAL AND IS NOT TO BE USED OR DISSEMINATED TO OTHERS WITHOUT THE EXPRESS WRITTEN CONSENT OF EMERY WINSLOW SCALE COMPANY.				DATE	10/01/04		
				CHECKED	DATE		
				ACAD FILENAME:	T01823		
				LAYERS USED:	ALL		
SCALE		FIRST USED ON		DRAWING NO.		REV.	
1:30		D-71686		A			