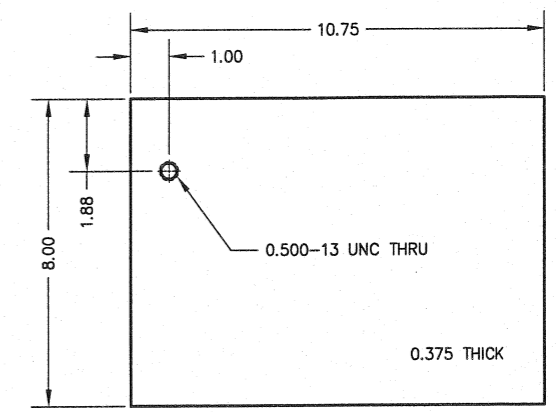
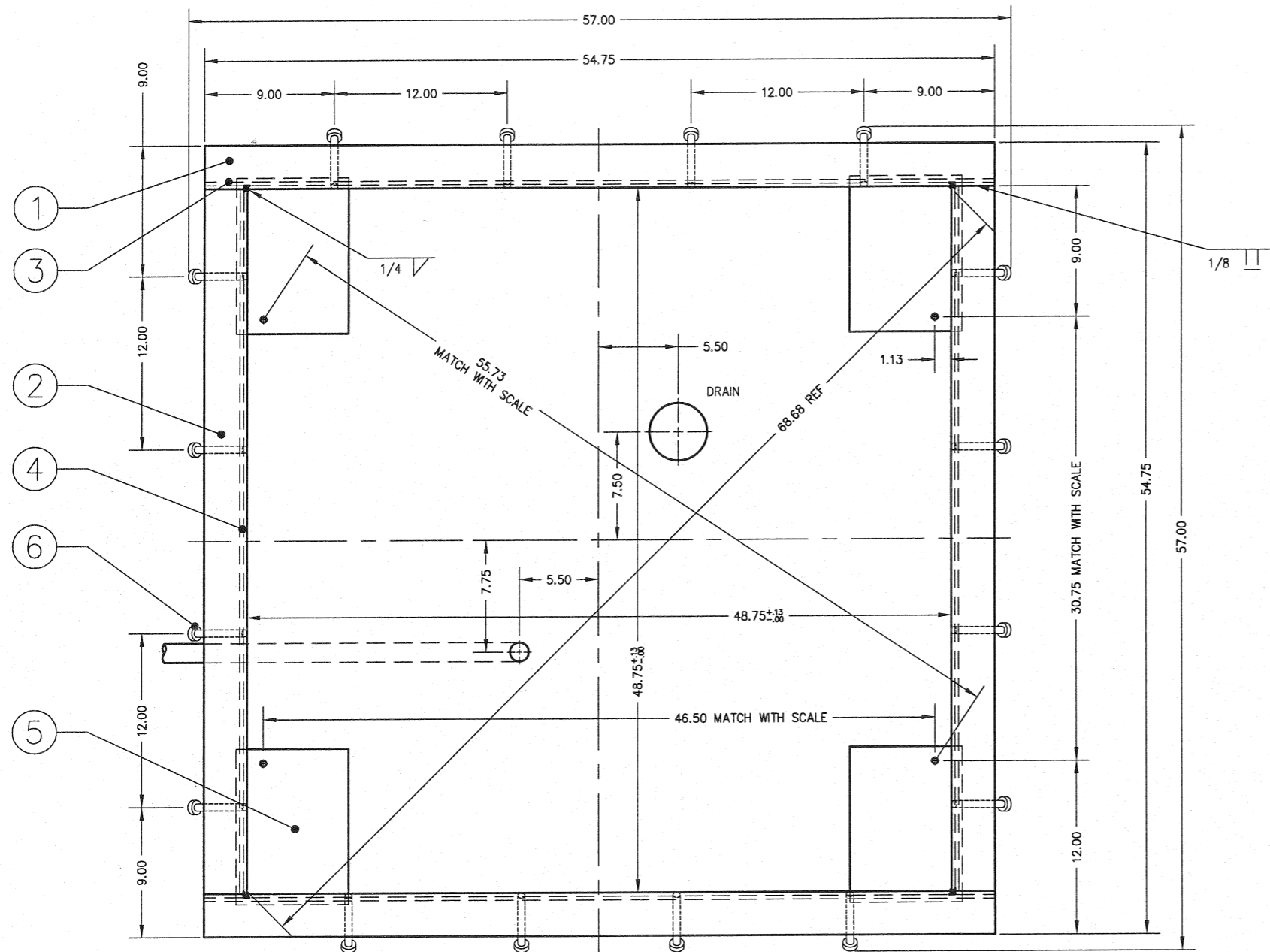
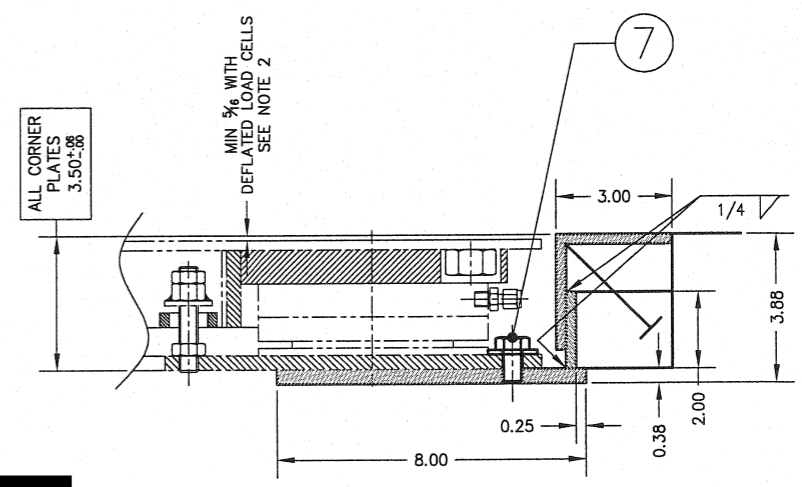


ITEM NO.	DESCRIPTION	QTY	MATERIAL	UNIT WT.	PART NO.	SIZE	WT.
1	ANGLE	2	SS 304	4.90		3.00 X 3.00 X 0.25 X 54.75	45
2	ANGLE	2	SS 304	4.90		3.00 X 3.00 X 0.25 X 48.75	40
3	FLAT	2	SS 304	1.70		0.25 X 2.00 X 54.75	15.5
4	FLAT	2	SS 304	1.70		0.25 X 2.00 X 48.75	14
5	CORNER PLATE	4	SS 304	16.5		0.38 X 8.00 X 10.75	20
6	NELSON STUD	16	CS		101-053-003	#0.50 X 4.13 TYPE HAL. HILTI	
7	HHCS	4	SS 304		0.500-13 UNC X 0.75		

TOTAL WEIGHT: 135



ITEM #5 CORNER PLATE
SCALE 1:2



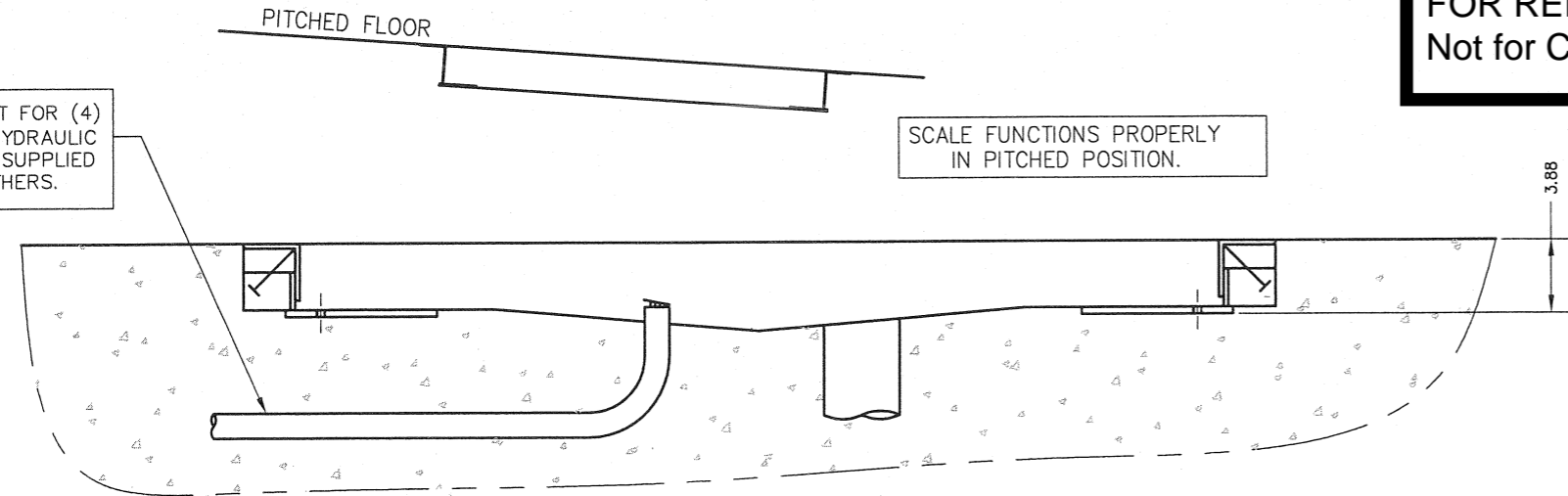
SCALE 1:2

FOR FIELD INSTALLATION

FOR REFERENCE ONLY
Not for Construction

1' CONDUIT FOR (4)
1/8 OD HYDRAULIC
TUBING. SUPPLIED
BY OTHERS.

SCALE FUNCTIONS PROPERLY
IN PITCHED POSITION.



NOTES:

- CONTROL WARPAGE DURING WELDING TO MAINTAIN FLATNESS AND SQUARE WITHIN .13.
- SHIP SCALE INSTALLED INTO PIT FRAME AT PROPER HEIGHT AND SHIMMED IF NEEDED.

DEBURR ALL CORNERS AND EDGES DIMENSIONS ARE IN INCHES. TOLERANCES UNLESS SPECIFIED OTHERWISE: MACHINING: .XX = ±.01 ±.13 .XXX = ±.005				EMERY WINSLOW SCALE COMPANY SEYMOUR, CT U.S.A. TERRE HAUTE, IN.	
THIS DRAWING IS THE PROPERTY OF EMERY WINSLOW SCALE COMPANY SEYMOUR, CONNECTICUT. THE INFORMATION CONTAINED HEREIN IS CONFIDENTIAL AND IS NOT TO BE USED OR DISSEMINATED TO OTHERS WITHOUT THE EXPRESS WRITTEN CONSENT OF EMERY WINSLOW SCALE COMPANY.				DRAWN: <i>CS</i> DATE: 6/20/05 CHECKED: / DATE: ACAD FILENAME: AC20924 LAYERS USED: P1-P3	
REV DESCRIPTION DATE BY		SCALE 1:5		FIRST USED ON / DRAWING NO. D-36300	