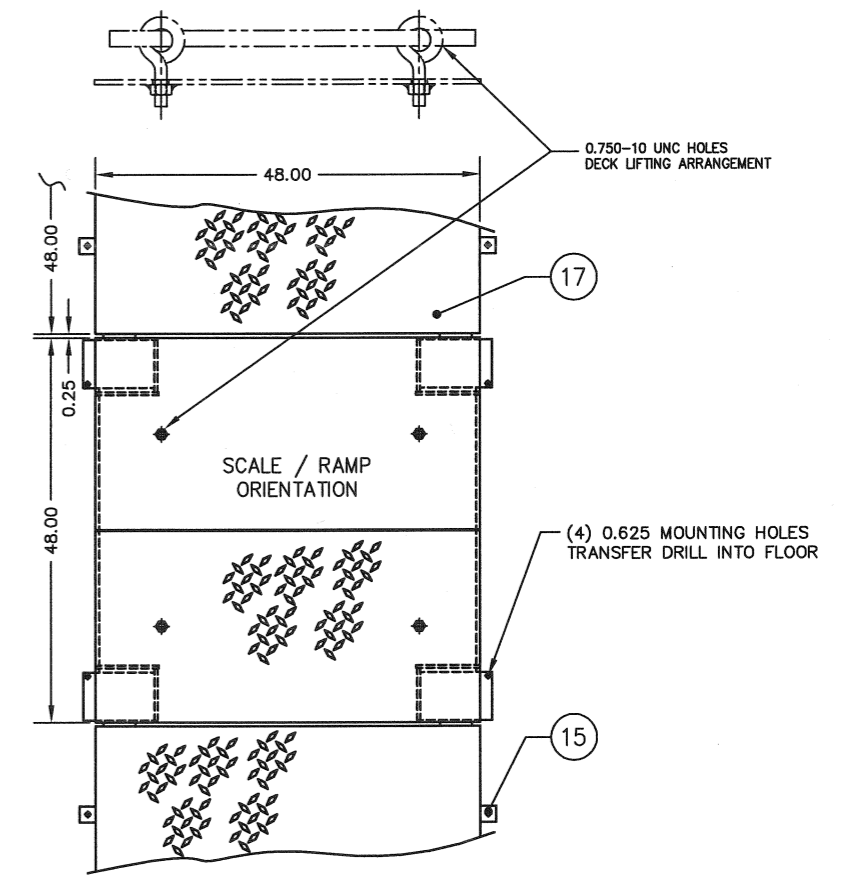
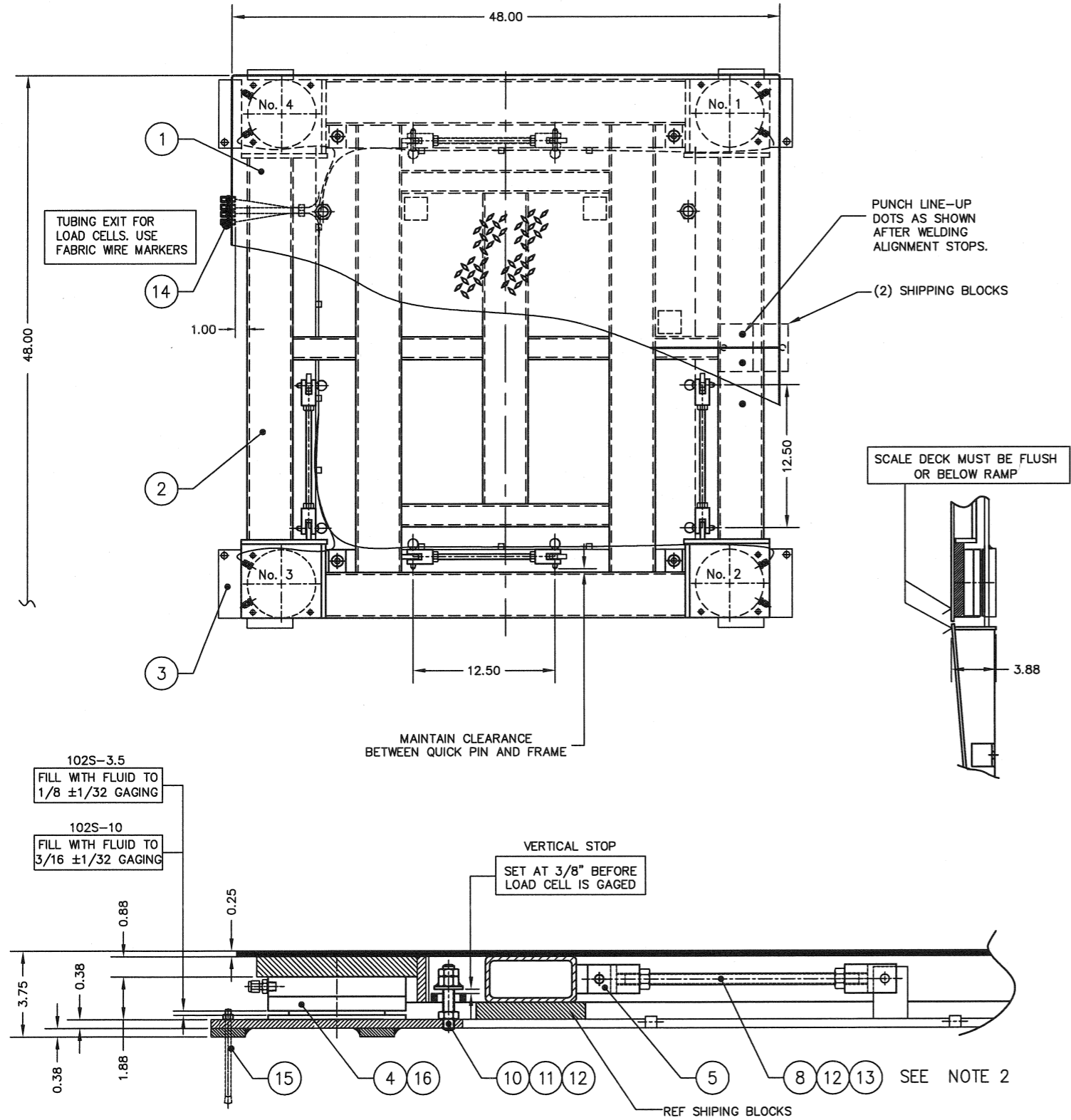


DASH NO.	LOAD CELL MODEL NO.	SCALE MODEL NO.	DEAD WEIGHT	CAPACITY
D-35534-1	B-34326-2 B-34321-1	102S-03.5-M1 102S-10.0-M2	708-46-2 708-46-5	330 lb 2,000 LB 2,000 LB AXLE LOAD 5,000 LB 4,000 LB AXLE LOAD
D-35534-2	B-34321-1	102S-10.0-M2	708-46-10	330 lb 10,000 LB 4,000 LB AXLE LOAD

ITEM NO.	DESCRIPTION	QTY	MATERIAL	UNIT WT.	PART NO.	SIZE	WT.
1	REMOVABLE DECK	2	SS 304		B-35537 (0.25 THK)	(4 WAY SAFETY PLATE - OPTIONAL)	180
2	DECK WELDMENT	1	SS 304		D-35985		150
3	BASE FRAME WELDMENT	1	SS 304		D-35868		97
4	LOAD CELL	4	SS 304		SEE CHART		
5	ROD CLEVIS	8	SS 304		A-34541	0.500-20 UNF	
6							
7							
8	STAYBAR	4	SS 304		A-35900-2	0.500-20 UNF X 10.25	
9							
10	VERTICAL STOP THRD ROD	4	SS 304		0.500-20 UNF X 2.75		
11	VS HEX NUT WELDMENT	4	SS 304		A-35703		
12	HEX NUT, HALF	16	SS 304		0.500-20 UNF		
13	QUICK RELEASE PIN	8	SS 303		98404A372	0.38 DIA X 1.2 GRIP LENGTH	McMASTER CARR
14	UNION	4	SS 316		SS-200-6		SWAGelok OR EQUAL
15	ANCHOR BOLT 0.50 X 4.50	4 + A/R	SS 304		KB11304SS12-412		HILTI OR EQUAL
16	HHCS	8	SS		0.250-20 UNC X 0.50		
17	RAMP	A/R	SS 304		B-35736		



- NOTES:
- CAUTION: WHEN USING FORK LIFT TO MOVE SCALE ADD SHIPPING BLOCKS AS SHOWN.
 - SET STAYBARS SO THAT THEY CAN MOVE FREELY IN DIRECTIONS OF PINS, BUT SCALE HAS ONLY MINIMAL HORIZONTAL MOVEMENT.
 - SEE PRODUCTION CONTROL DRAWING D-35654.
 - OPENING HAND FORCE 45 lb.
 - FINISH: WHITE SAND BLAST TO (125 MIC).

D	CHART UPDATED	7/28/04	CBM	ALL SHARP CORNERS AND EDGES TO BE BROKEN	EMERY WINSLOW SCALE COMPANY SEYMOUR, CT U.S.A TERRE HAUTE, IN.
C	DECK FRAME REDESIGNED D-35885 WAS D-35336 D-35868 WAS D-35535	6/13/04	CBM	DIMENSIONS ARE IN INCHES.	
B	DRAWING UPDATED	10/29/03	CBM	TOLERANCES UNLESS SPECIFIED OTHERWISE: MACHINING ±.01 FABRICATION ±.13	
A	3.75 WAS 4.00 0.38 WAS 0.63 3.88 WAS 4.25 ON R/M ITEM 17 B-35736 WAS B-35278	01/30/03	GMR	XX = ±.01 .XXX = ±.005	
REV	DESCRIPTION	DATE	BY		
THIS DRAWING IS THE PROPERTY OF EMERY WINSLOW SCALE COMPANY SEYMOUR, CONNECTICUT. THE INFORMATION CONTAINED HEREIN IS CONFIDENTIAL AND IS NOT TO BE USED OR DISSEMINATED TO OTHERS WITHOUT THE EXPRESS WRITTEN CONSENT OF EMERY WINSLOW SCALE COMPANY.				DRAWN: CBM DATE: 2/28/02	SCALE: 1:5
CHECKED: DATE:				ACAD FILENAME: ACO0894	FIRST USED ON: DRAWING NO. D-35534
LAYERS USED: LO-L5					REV D