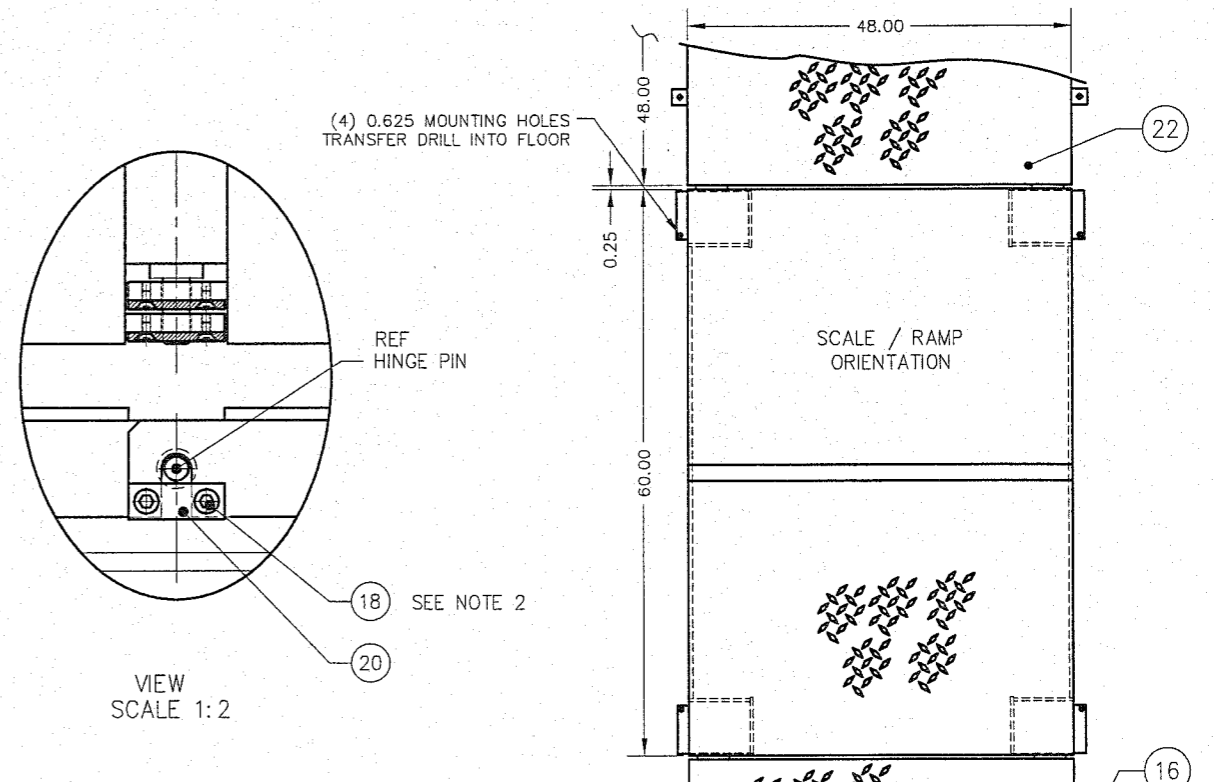


ITEM NO.	DESCRIPTION	QTY	MATERIAL	UNIT WT.	PART NO.	SIZE	WT.
1	LIFT DECK SET	1	SS 304		D-35895 (0.25)	(4 WAY SAFETY PLATE - OPTIONAL)	220
2	DECK WELDMENT	1	SS 304		D-35894		190
3	BASE FRAME WELDMENT	1	SS 304		D-35582		123
4	LOAD CELL	4	SS 304		SEE CHART		
5	ROD CLEVIS	8	SS 304		A-34541-3	M10 X 1.5	
6	ROD CLEVIS	8	SS 304		2806SS	0.500-20 UNF	MIDWEST CONTROL PRODUCTS CORP.
7	STAYBAR	2	SS 304		A-35900-1	0.500-20 UNF X 8.75	
8	STAYBAR	2	SS 304		A-35900-3	0.500-20 UNF X 13.25	
9	CLEVIS PIN	8	SS 303		92390A382	0.50 DIA X 1.19 GRIP LENGTH	McMASTER CARR
10	HAIR PIN COTTER	8	SS 304		92391A310	0.25 - 0.38 SHAFT 1.18 OL	McMASTER CARR
11	VERTICAL STOP THRD ROD	4	SS 304		0.500-20 UNF X 2.75		
12	VS HEX NUT WELDMENT	4	SS 304		A-35703		
13	HEX NUT, HALF	16	SS 304		0.500-20 UNF		
14	QUICK RELEASE PIN	8	SS 303		98404A372	0.38 DIA X 1.2 GRIP LENGTH	McMASTER CARR
15	UNION	4	SS 316		SS-200-6		SWAGelok OR EQUAL
16	ANCHOR BOLT 0.50 X 4.50	4 +A/R	SS 304		KB11304SS12-412		HILTI OR EQUAL
17	HHCS	8	SS 304		0.250-20 UNC X 0.50		
18	FHSCS	8	SS 304		0.250-20 UNC X 0.50		
19	SPACER BAR	1	SS 304		B-35558-1		
20	LASH	4	SS 304		A-35557		
21	GAS SPRINGS	4	SS 316		1165-SSHD 2.5-360		AMERI TOOL
22	RAMP	A/R	SS 304		B-35736		



- NOTES:
- CAUTION: WHEN USING FORK LIFT TO MOVE SCALE ADD SHIPPING BLOCKS AS SHOWN.
 - SEE PRODUCTION CONTROL DRAWING D-35654.
 - OPENING HAND FORCE 45 lb.
 - FINISH: WHITE SAND BLAST TO (125 MIC).

E	DRAWING & BOM UPDATED TO NEW STAYBAR ARRANGEMENT	9/6/05	CBM
D	CHART UPDATED	7/28/04	CBM
C	DECK FRAME REDESIGNED D-35895 WAS D-35584, D-35894 WAS D-35583	2/19/04	CBM
B	DRAWING UPDATED	10/29/03	CBM
A	3.75 WAS 4.00, 0.38 WAS 0.63 AND 3.88 WAS 4.25. ITEM 17, 0.250-20UNC X 0.50 WAS 0.250 X 20UNC X 0.38. ITEM 21, B-35736 WAS B-35566.	01/30/03	GMR
REV	DESCRIPTION	DATE	BY
THIS DRAWING IS THE PROPERTY OF EMERY WINSLOW SCALE COMPANY SEYMOUR, CONNECTICUT. THE INFORMATION CONTAINED HEREIN IS CONFIDENTIAL AND IS NOT TO BE USED OR DISSEMINATED TO OTHERS WITHOUT THE EXPRESS WRITTEN CONSENT OF EMERY WINSLOW SCALE COMPANY.			
DRAWN: CBM DATE: 6/10/02		CHECKED: DATE:	
ACAD FILENAME: ACO0917		LAYERS USED: LO-L06	
EMERY WINSLOW SCALE COMPANY SEYMOUR, CT U.S.A. TERRE HAUTE, IN.			
SCALE ASSEMBLY 708-45- WITH GAS SPRING LIFT DECK			
SCALE	FIRST USED ON	DRAWING NO.	REV
1:6 1:3		D-35581	E