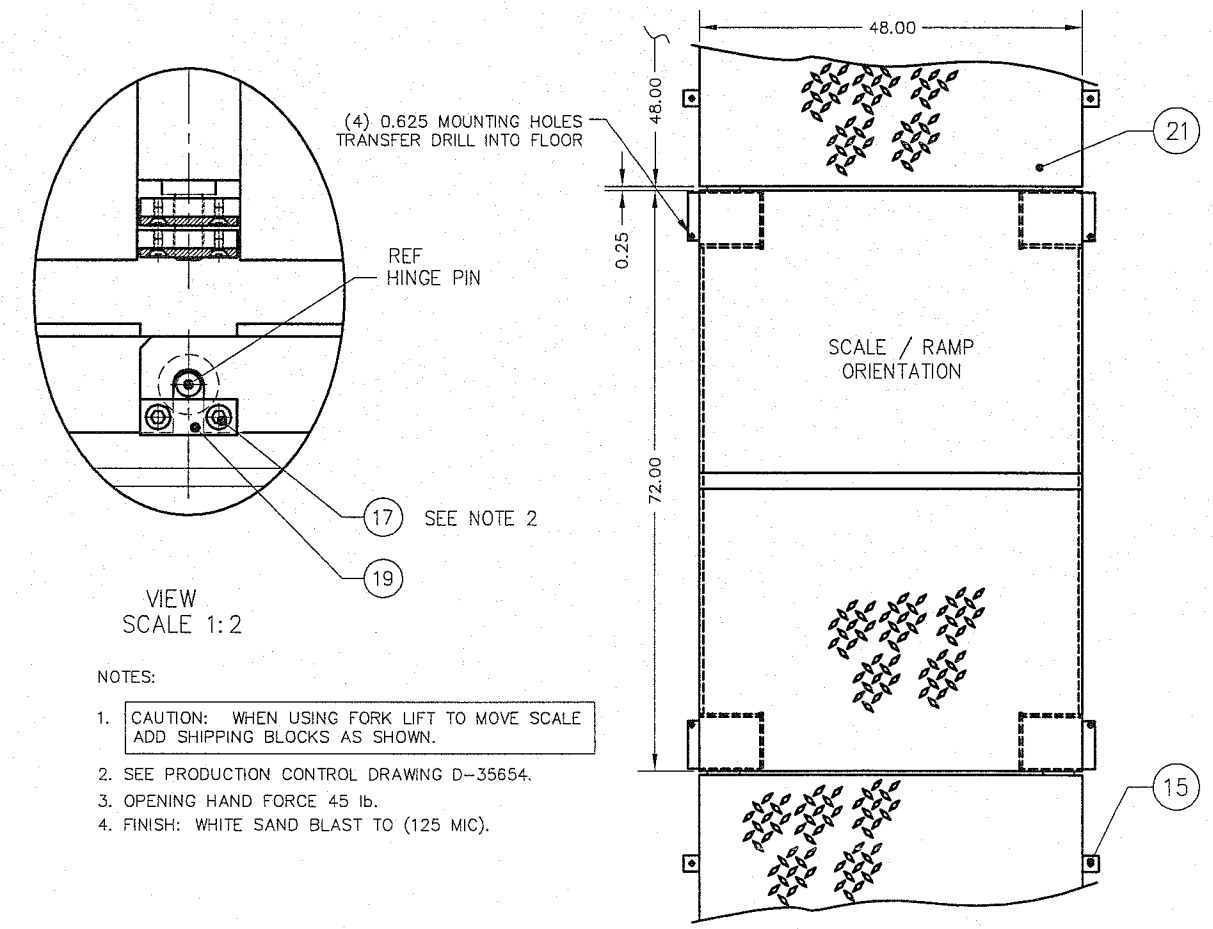
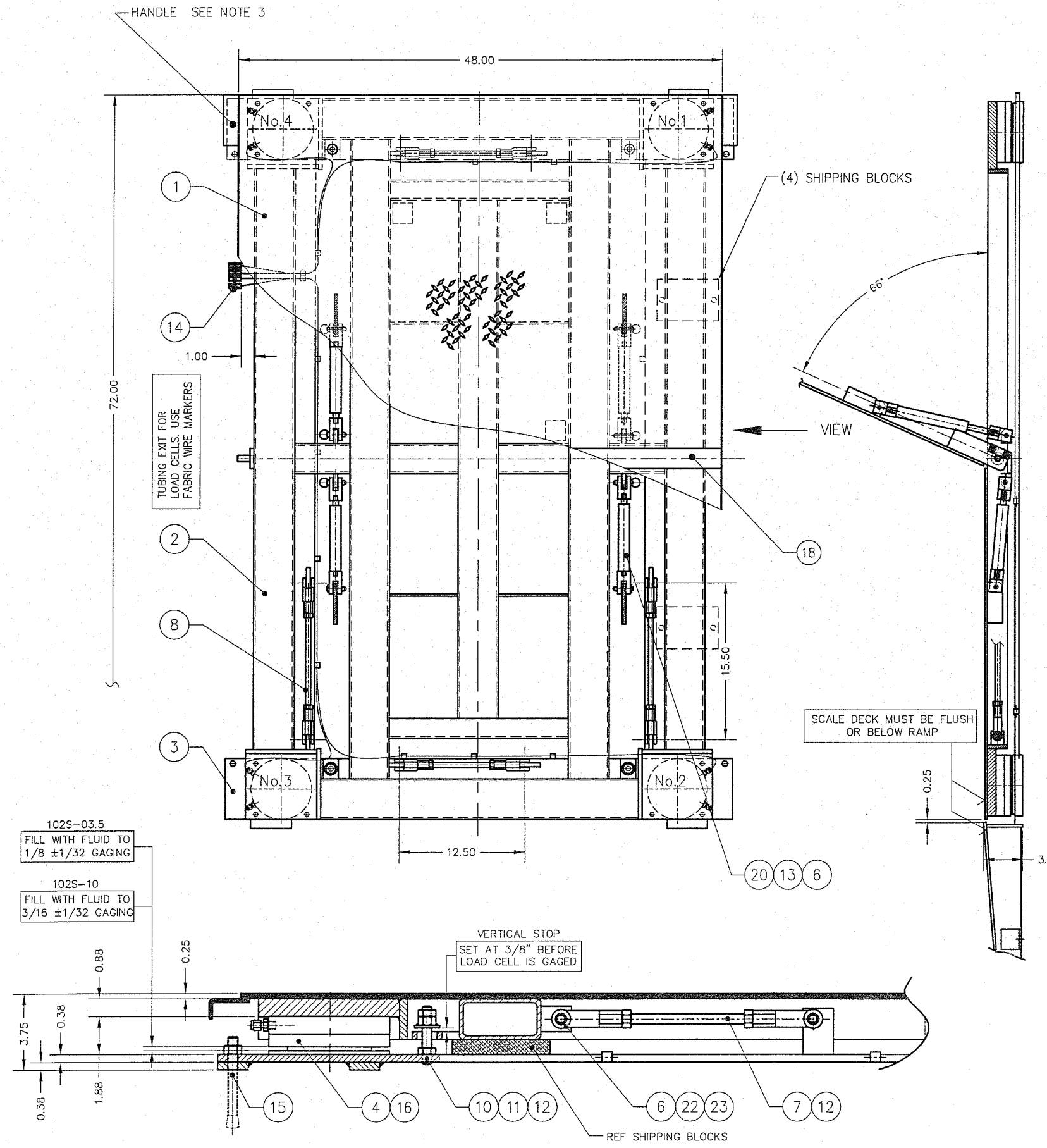


DASH NO.	LOAD CELL MODEL NO.	SCALE MODEL NO.	DEAD WEIGHT	CAPACITY	
D-35562-1	B-34326-2 B-34321-1	102S-03.5-M1 102S-10.0-M2	708-46-2 708-46-5	472 lb	2,000 LB 5,000 LB
D-35562-2	B-34321-1	102S-10.0-M2	708-46-10	472 lb	2,000 LB AXLE LOAD 4,000 LB AXLE LOAD
					10,000 LB 4,000 LB AXLE LOAD

ITEM NO.	DESCRIPTION	QTY	MATERIAL	UNIT WT.	PART NO.	SIZE	WT.
1	LIFT DECK SET	1	SS 304		B-35893 (0.25)	(4 WAY SAFETY PLATE - OPTIONAL)	272
2	DECK WELDMENT	1	SS 304		D-35892		210
3	BASE FRAME WELDMENT	1	SS 304		D-35525		123
4	LOAD CELL	4	SS 304		SEE CHART		
5	ROD CLEVIS	8	SS 304		A-34541-3	M10 X 1.5	
6	ROD CLEVIS	8	SS 304		2806SS	0.500-20 UNF	MIDWEST CONTROL PRODUCTS CORP.
7	STAYBAR	2	SS 304		A-35900-1	0.500-20 UNF X 8.75	
8	STAYBAR	2	SS 304		A-35900-3	0.500-20 UNF X 13.25	
9							
10	VERTICAL STOP THRD ROD	4	SS 304		0.500-20 UNF X 2.75		
11	VS HEX NUT WELDMENT	4	SS 304		A-35703		
12	HEX NUT, HALF	16	SS 304		0.500-20 UNF		
13	QUICK RELEASE PIN	8	SS 303		98404A372	0.38 DIA X 1.2 GRIP LENGTH	McMASTER CARR
14	UNION	4	SS 316		SS-200-6		SWAGelok OR EQUAL
15	ANCHOR BOLT 0.50 X 4.50	4 + A/R	SS 304		KB11304SS12-412		HILT OR EQUAL
16	HHCS	8	SS 304		0.250-20 UNC X 0.50		
17	FHSCS	8	SS 304		0.250-20 UNC X 0.50		
18	SPACER BAR	1	SS 304		B-35558-1		
19	LASH	4	SS 304		A-35557		
20	GAS SPRINGS	4	SS 316		1165-SSHD 2.5-360		AMERI TOOL
21	RAMP	A/R	SS 304		B-35736		
22	CLEVIS PIN	8	SS 303		92390A382	0.50 DIA X 1.19 GRIP LENGTH	McMASTER CARR
23	HAIR PIN COTTER	8	SS 304		92391A310	0.25 - 0.38 SHAFT 1.18 OL	McMASTER CARR



- NOTES:
- CAUTION: WHEN USING FORK LIFT TO MOVE SCALE ADD SHIPPING BLOCKS AS SHOWN.
 - SEE PRODUCTION CONTROL DRAWING D-35654.
 - OPENING HAND FORCE 45 LB.
 - FINISH: WHITE SAND BLAST TO (125 MIC).

REV	DESCRIPTION	DATE	BY
E	DRAWING & BOM UPDATED TO NEW STAYBAR ARRANGEMENT	9/8/05	CBM
D	CHART UPDATED	1/28/04	CBM
C	DECK FRAME REDESIGNED D-35892 WAS B-35564, D-35893 WAS D-35563	12/17/03	CBM
B	DRAWING UPDATED	10/29/03	CBM
A	3.75 WAS 4.00, 0.38 WAS 0.63 AND 3.88 WAS 4.25 ON B/M ITEM 17, 0.250 X 20UNC X 0.50 WAS 0.250-20UNC X 0.38, ITEM 21 B-35736 WAS B-35566	05/14/03	GMR

THIS DRAWING IS THE PROPERTY OF EMERY WINSLOW SCALE COMPANY SEYMOUR, CONNECTICUT. THE INFORMATION CONTAINED HEREIN IS CONFIDENTIAL AND IS NOT TO BE USED OR DISSEMINATED TO OTHERS WITHOUT THE EXPRESS WRITTEN CONSENT OF EMERY WINSLOW SCALE COMPANY.		DRAWN: CBM DATE: 4/29/02	CHECKED: DATE:
ACAD FILENAME: ACO0906		LAYERS USED: LG-L06	SCALE: 1:6 FIRST USED ON: 1:3

EMERY WINSLOW SCALE COMPANY SEYMOUR, CT U.S.A TERRE HAUTE, IN.	
SCALE ASSEMBLY 708-46- WITH GAS SPRING LIFT DECK	
DRAWING NO. D-35562	REV E

GAS SPRING LAYOUT - B-35517