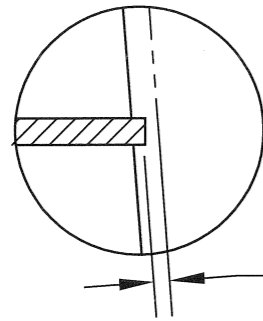
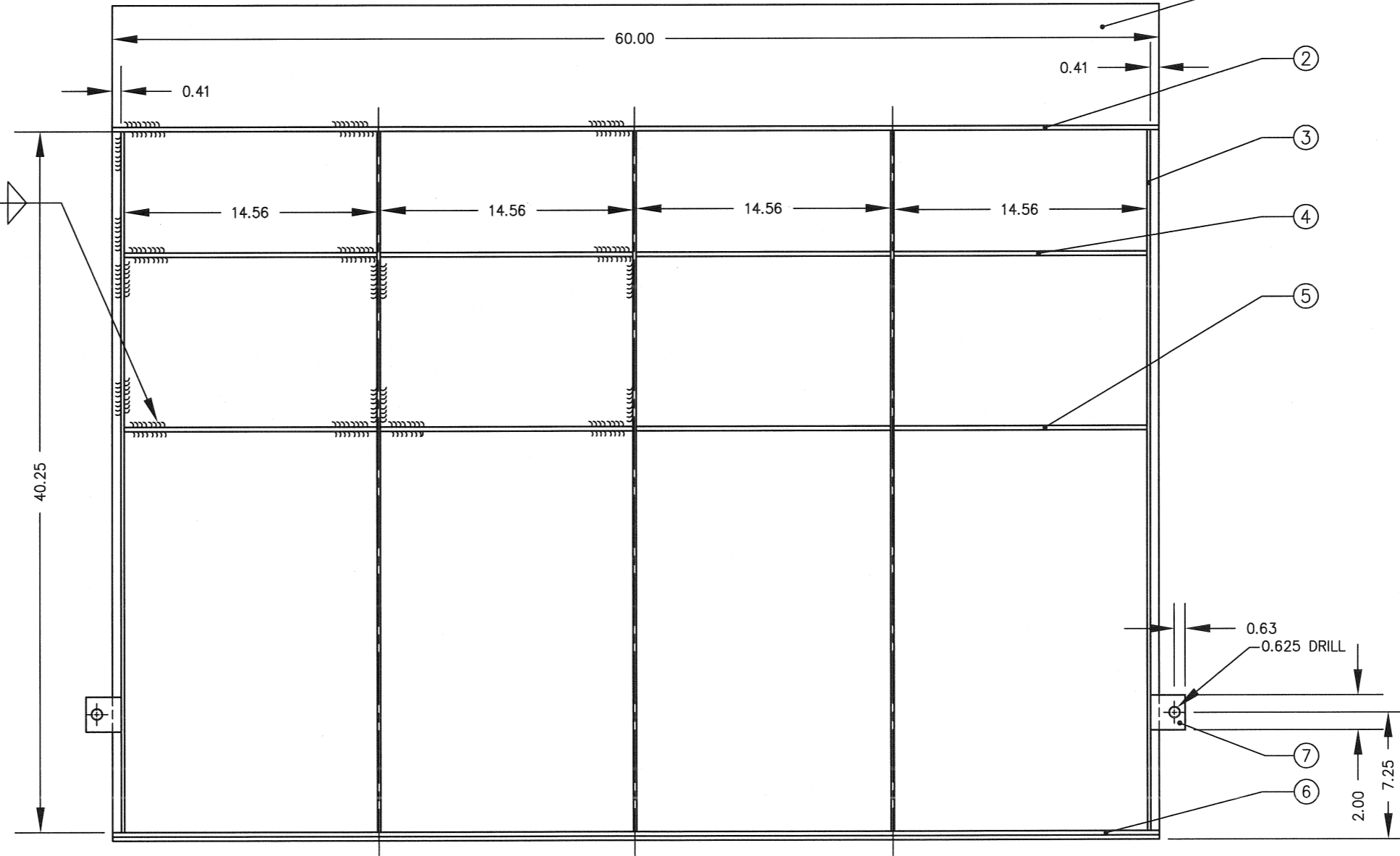
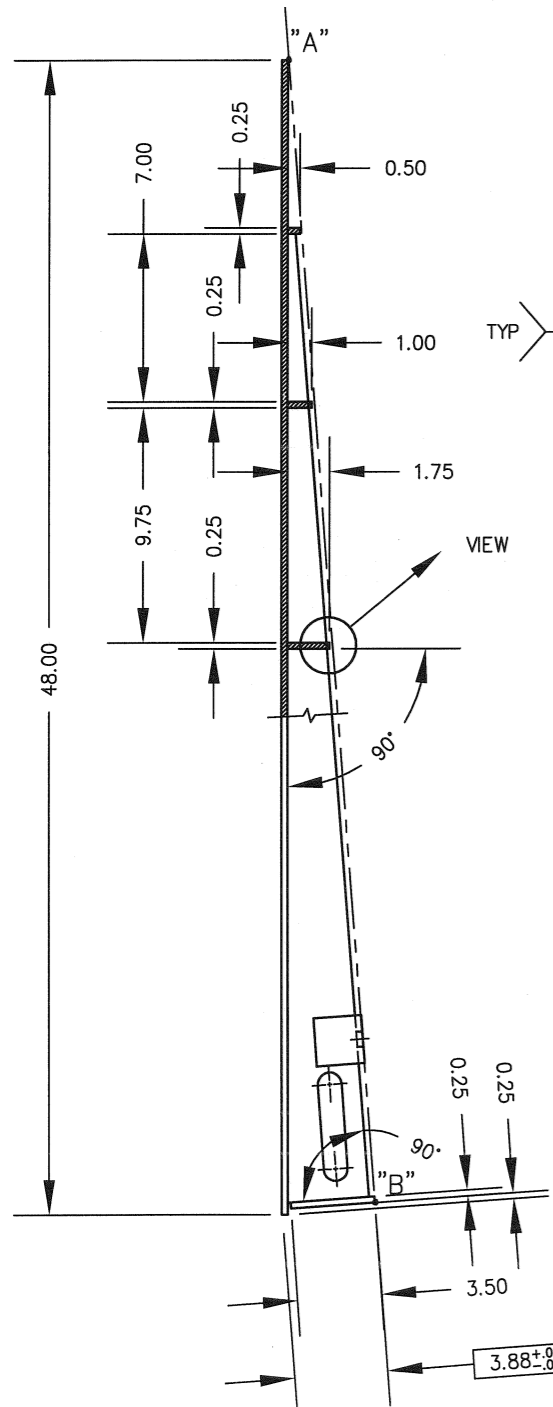


ITEM NO.	DESCRIPTION	QTY	MATERIAL	UNIT WT.	PART NO.	SIZE	WT.
1	4 WAY SAFETY PLATE	1	A/R	11.3	0.25 X 48.00 X 60.00		226
2	GUSSET	1	A/R	0.5	0.25 X 0.50 X 60.00		2.5
3	GUSSET	5	A/R	2.5	0.19 X 3.88 X 40.25		20
4	STIFFENER	4	A/R	0.9	0.25 X 1.00 X 14.50		4.4
5	STIFFENER	4	A/R	1.5	0.25 X 1.75 X 14.50		7.3
6	GUSSET	1	A/R	3.0	0.25 X 3.50 X 60.00		15
7	BRACKET	2	A/R	3.2	0.25 X 2.00 X 2.00 X 2.00 ANGLE		1.1
8							
9							
10							
11							

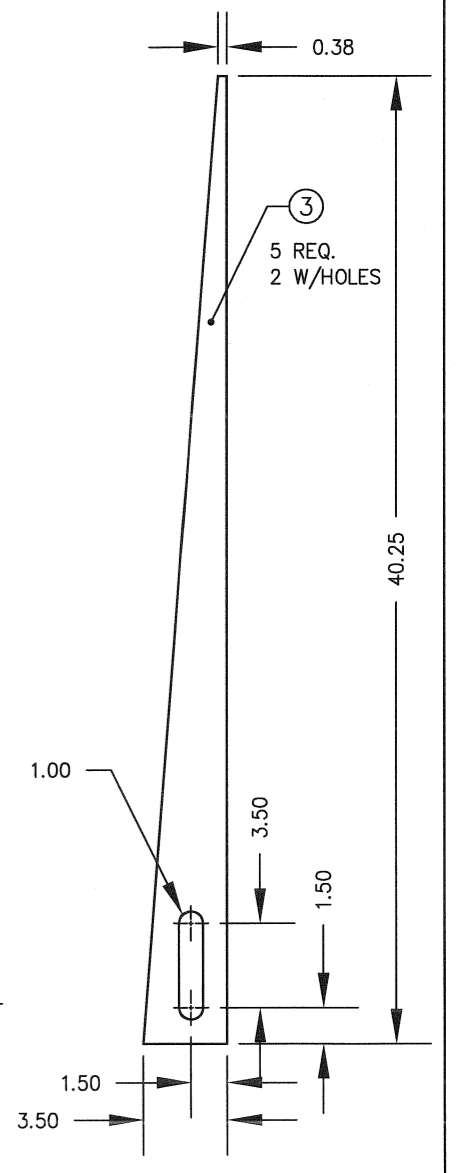


VIEW

PLACE A BAR OVER
EDGE "A" AND "B" TO
SET UP FOR A CLEARANCE
TO FLOOR FOR ITEMS 2, 4 & 5
OF 0.06



TOTAL WEIGHT = 276



NOTE:
1. MATERIAL: -Y CARBON STEEL
-Z SS 304

				ALL SHARP CORNERS AND EDGES TO BE BROKEN		EMERY WINSLOW SCALE COMPANY SEYMOUR, CT U.S.A TERRE HAUTE, IN.	
				UNLESS OTHERWISE SPECIFIED DIMENSIONS ARE IN INCHES		RAMP ASSEMBLY 60.00 X 48.00 X 3.88 (4") 4,000 lb AXLE	
A	REDESIGNED	4/26/04	CBM	MACHINING .XX = ± .01 .XXX = ± .005	FABRICATION ± .13		
LTR	REVISION	DATE	BY	DRAWN GMR DATE 7/12/02		SCALE	FIRST USED ON
THIS DRAWING IS THE PROPERTY OF EMERY WINSLOW SCALE COMPANY SEYMOUR, CONNECTICUT. THE INFORMATION CONTAINED HEREIN IS CONFIDENTIAL AND IS NOT TO BE USED OR DISSEMINATED TO OTHERS WITHOUT THE EXPRESS WRITTEN CONSENT OF EMERY WINSLOW SCALE COMPANY.				CHECKED DATE		1:8	
				ACAD FILENAME: AC01145		DRAWING NO. B-35706	
				LAYERS USED: 01,02		REV. A	