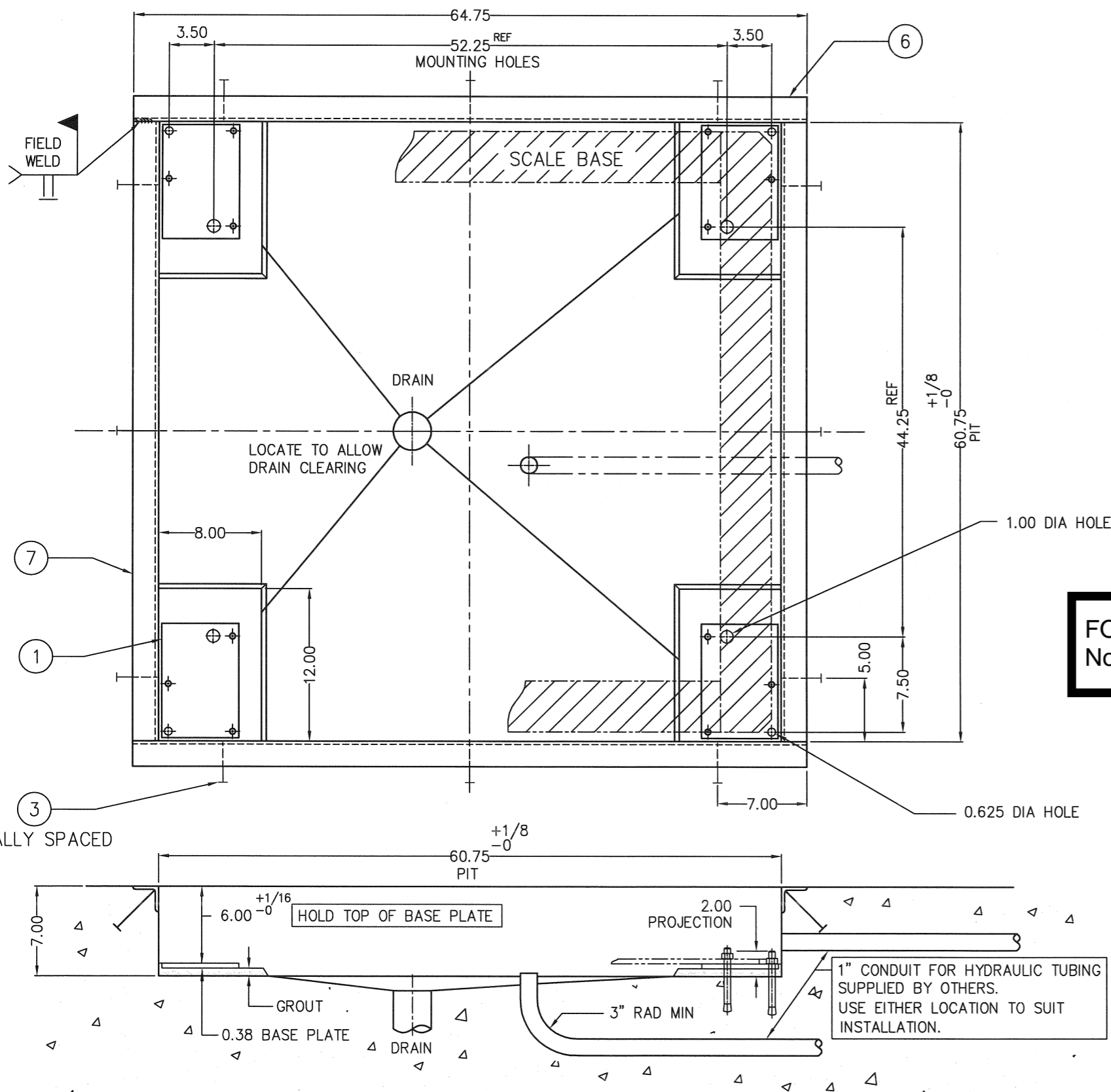


NOTES:

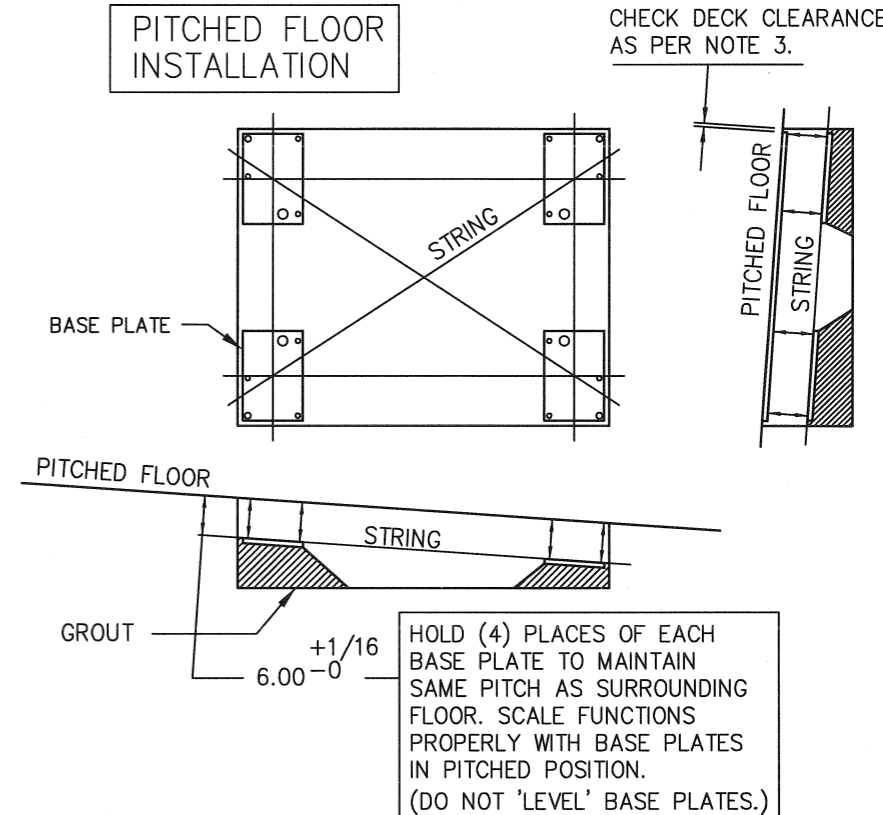
1. Install four (4) anchor bolts, item 4, as per manufacturers specification.
2. Set base plate item 1 to proper height and level as specified, using greased leveling screws. Remove plate and apply a layer of grout in plate area slightly higher than required. Bolt base plate down to preset screws, squeezing out excess grout. Double check height and level. Remove leveling screws after approximately 2 to 3 hours.
3. Place scale assembly into pit with removable deck installed. Check for even gap between decks and pit coping all around scale.
4. Remove decks and transfer drill holes for four (4) anchor bolts, item 4. Install anchor bolts as per manufacturer's specification.
5. Tighten anchor bolts.

ITEM NO.	DESCRIPTION	QTY	MATERIAL	UNIT WT.	PART NO.	SIZE	WT.
1	BASE PLATE	4	SS 304	7.65	B-33340	(0.38 X 6 X 9)	20.5
2	LEVELING SCREW	12	CS			0.500-13UNC X 4.00	
3	NELSON STUD	16	CS			101-053-003 0.50 X 4.13 X H4L	OPT
4	ANCHOR BOLT 0.50 X 5.50	8	SS 304			KB11304SS112-512	HILT OR EQUAL OPT
5	GROUT (NON-SHRINKING)	A/R				FIVE STAR PRODUCTS, INC., FAIRFIELD, CT., 06430	OR EQUAL OPT
6	COPING	2	SS 304			2 X 2 X 0.25 X 64.75	OPT
7	COPING	2	SS 304			2 X 2 X 0.25 X 60.75	OPT

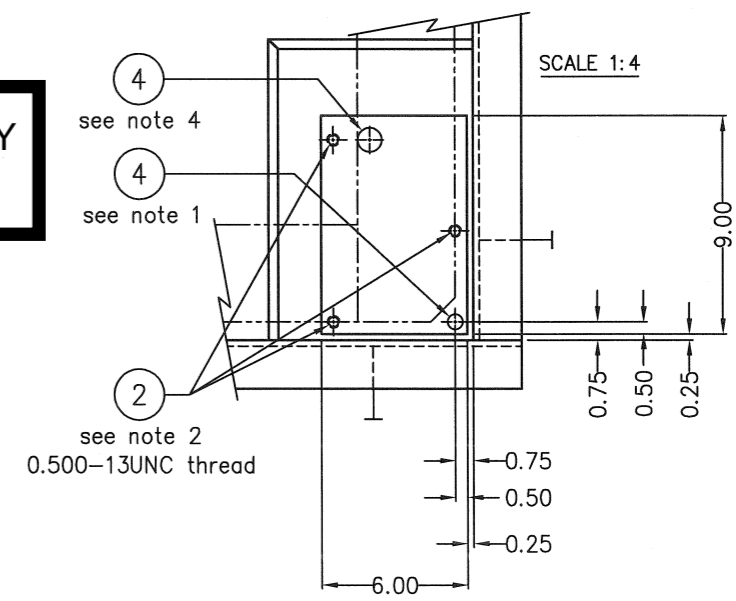
AVAILABLE AS AN OPTION = OPT



PITCHED FLOOR INSTALLATION



**FOR REFERENCE ONLY
Not for Construction**



ALL SHARP CORNERS AND EDGES TO BE BROKEN				EMERY WINSLOW SCALE COMPANY SEYMOUR, CT U.S.A TERRE HAUTE, IN.	
B	PITCHED VIEW ADDED, ITEM 2,4 CHANGED	11/96	JDS	UNLESS OTHERWISE SPECIFIED DIMENSIONS ARE IN INCHES	
A	REDRAWN/CAD	1/95	JDS	DECIMALS FRACTIONS ANGLES	
LTR	REVISION	DATE	BY	X.XX = ± .03 XXX = ± .005	
THIS DRAWING IS THE PROPERTY OF EMERY WINSLOW SCALE COMPANY SEYMOUR, CONNECTICUT. THE INFORMATION CONTAINED HEREIN IS CONFIDENTIAL AND IS NOT TO BE USED OR DISSEMINATED TO OTHERS WITHOUT THE EXPRESS WRITTEN CONSENT OF EMERY WINSLOW SCALE COMPANY.				DRAWN JDS / DATE 1/8/95	
				CHECKED / DATE	
				ACAD FILENAME: A000298	
				LAYERS/USED: 1,2,5	
SCALE: NOT TO SCALE		FIRST USED ON: R		DRAWING NO. D-34118	
					REV. B