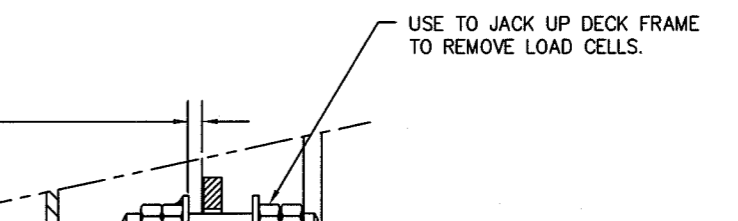
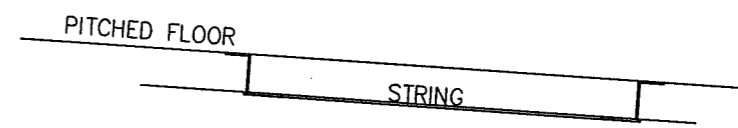
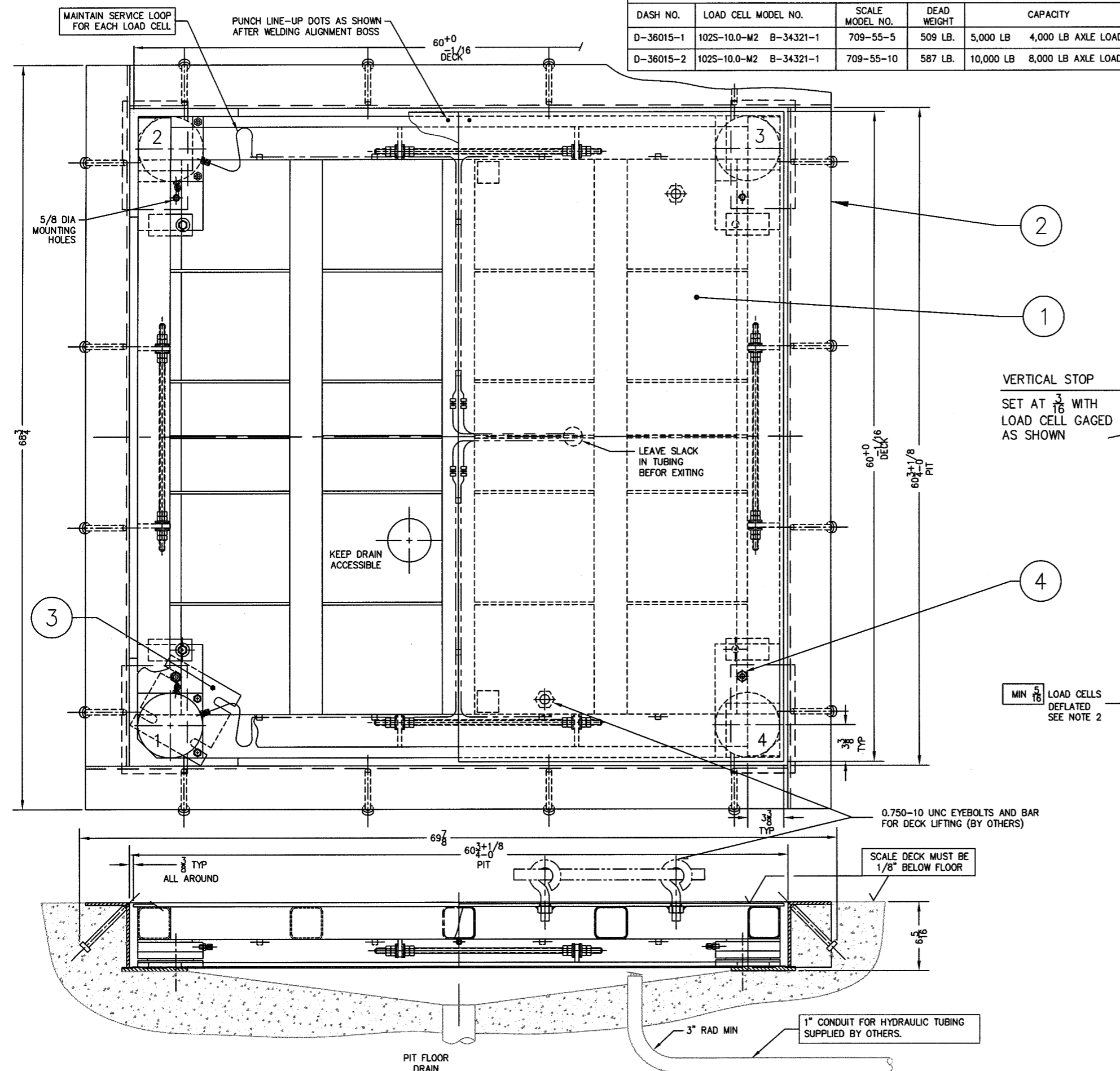


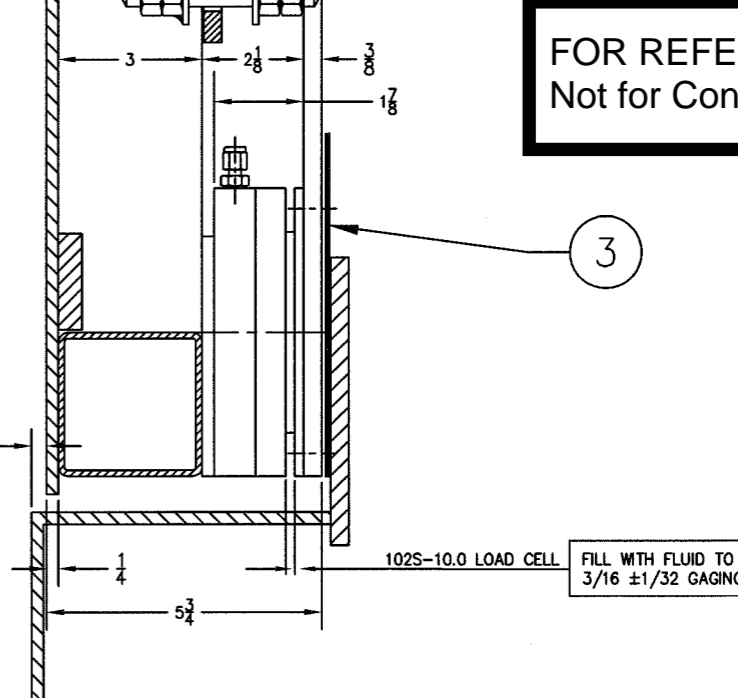
ORDERING DATA

DASH NO.	LOAD CELL MODEL NO.	SCALE MODEL NO.	DEAD WEIGHT	CAPACITY
D-36015-1	102S-10.0-M2 B-34321-1	709-55-5	509 LB.	5,000 LB 4,000 LB AXLE LOAD
D-36015-2	102S-10.0-M2 B-34321-1	709-55-10	587 LB.	10,000 LB 8,000 LB AXLE LOAD

ITEM NO.	DESCRIPTION	QTY	MATERIAL	UNIT WT.	PART NO.	SIZE	WT.
1	SCALE MOD. 709-55-5	1	ASSY		D-34428-1		
1	SCALE MOD. 709-55-10	1	ASSY		D-34428-2		
2	PIT FRAME	1	SS 304	206	D-36014		206
3	SHIM	A/R	SS 304		A-34030		
4	HHCS	4	SS 304		0.500-13 UNC X 0.75		



FOR REFERENCE ONLY
Not for Construction



- NOTES:
- SHIP SCALE INSTALLED INTO PIT FRAME AT PROPER HEIGHT AND SHIMMED IF NEEDED.
 - MAINTAIN AT (4) CORNERS

ALL SHARP CORNERS AND EDGES TO BE BROKEN		EMERY WINSLOW SCALE COMPANY SEYMOUR, CT U.S.A. TERRE HAUTE, IN.	
DIMENSIONS ARE IN INCHES. TOLERANCES UNLESS SPECIFIED OTHERWISE: MACHINING ±.005 FABRICATION ±.010		PIT FRAME/SCALE ASSEMBLY MODEL 709-55- REMOVABLE DECK	
A	ADDED: BOM ITEM #4, DIM. 5/16 DEFLATED	08/04/04	OT
LTR	REVISION	DATE	BY
THIS DRAWING IS THE PROPERTY OF EMERY WINSLOW SCALE COMPANY, SEYMOUR, CONNECTICUT. THE INFORMATION CONTAINED HEREIN IS CONFIDENTIAL AND IS NOT TO BE USED OR DISSEMINATED TO OTHERS WITHOUT THE EXPRESS WRITTEN CONSENT OF EMERY WINSLOW SCALE COMPANY.		DRAWN	OT DATE 06-30-04
		CHECKED	DATE
		ACAD FILENAME:	AC01166
		LAYERS USED:	ALL
SCALE	FIRST USED ON	DRAWING NO.	REV.
1:5		D-36015-	A