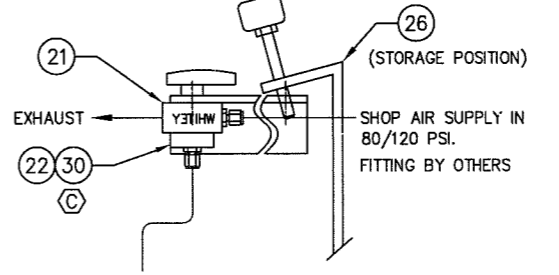
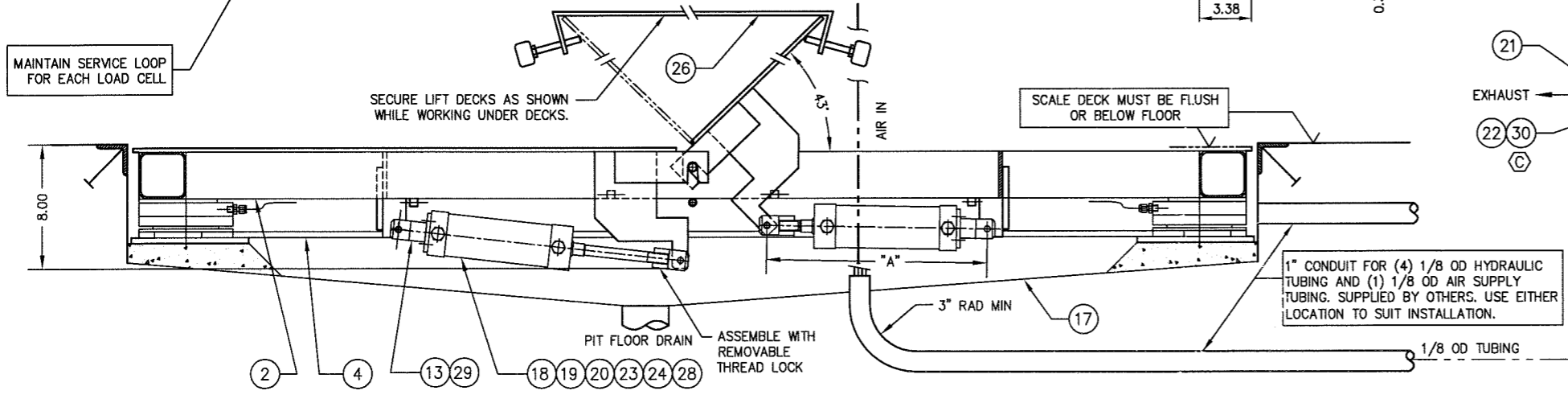
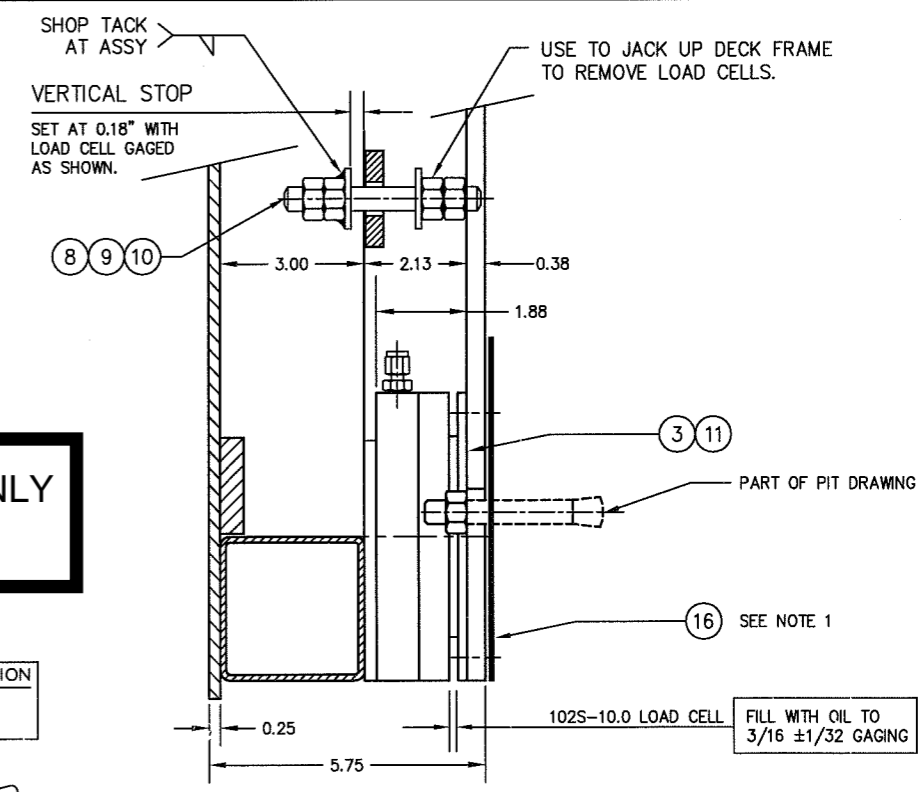
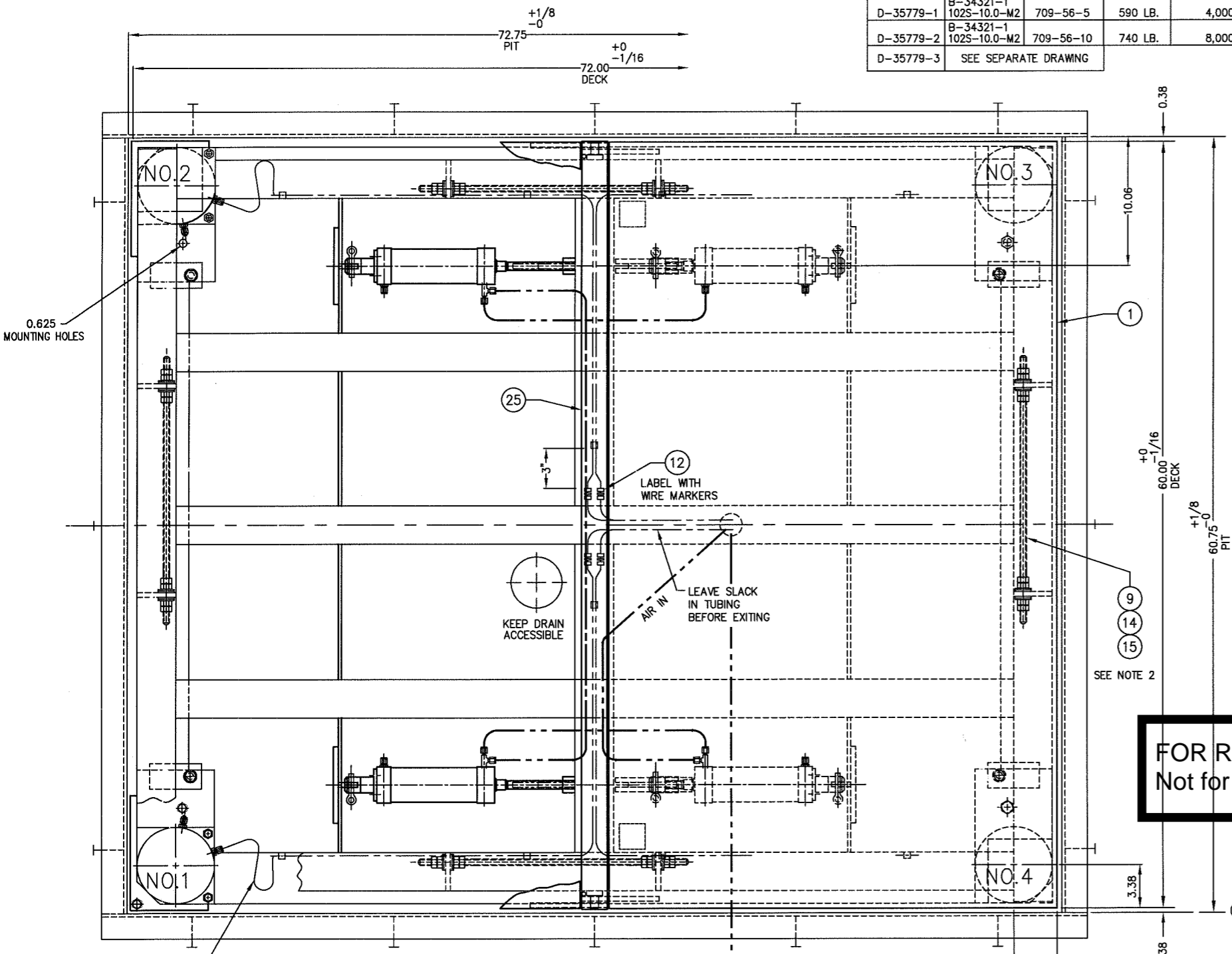


DASH NO.	LOAD CELL MODEL NO.	SCALE MODEL NO.	DEAD WEIGHT	CAPACITY	ITEM NO.	DESCRIPTION	QTY	MATERIAL	UNIT WT.	PART NO.	SIZE	WT.
D-35779-1	B-34321-1 102S-10.0-M2	709-56-5	590 LB.	5,000 LB 4,000 LB AXLE LOAD	1	PNEUMATIC LIFT DECK	2	SS 304		D-34595 (RH), D-34595-1 (LH), 0.25 (4 WAY SAFETY PLATE - OPTIONAL)		340
D-35779-2	B-34321-1 102S-10.0-M2	709-56-10	740 LB.	10,000 LB 8,000 LB AXLE LOAD	1	DECK FRAME	1	SS 304		D-35780-1		230
D-35779-3	SEE SEPARATE DRAWING				2	PNEUMATIC LIFT DECK	2	SS 304		D-34595 (RH), D-34595-1 (LH), 0.25 (4 WAY SAFETY PLATE - OPTIONAL)		340
					2	DECK FRAME	1	SS 304		D-35780-2		380

3	LOAD CELL	4	SS 304	5	SEE TABLE	1.88 HEIGHT	20
4	BASE FRAME	1	SS 304	116	D-34432		116
5							
6							
7							
8	VERTICAL STOP THRD ROD	4	SS 304		0.500-20 UNF X 4.00		
9	HN	48	SS 304		0.500-20 UNF	5020HNSS	
10	FW	8	SS 304		0.500	50FWSS	
11	SHCS	8	SS 304		0.250-20 UNC X 0.50	2520SHCS0050SS	
12	UNION	4	SS 316		SS-200-6	SWAGELOK OR EQUAL	
13	CYLINDER CLEVIS WELDMNT	4	SS 304		A-35594		
14	STAYBAR	4	SS 304		0.500-20 UNF X 20.00		
15	SPHERICAL WASHER	16	SS 304		A-34509	0.500	
16	SHIM	4	SS 304		0.06 X 6 X 7		
17	PIT ARRANGEMENT	A/R			D-34594		
18	PNEUMATIC LIFT CYLINDER	4	SS 316		US22436 2.50 DIA X 5.00 STROKE	SMC CORP.	
19	ROD CLEVIS	4	SS 304		A-34541-2	M18 X 1.5	
20	QUICK RELEASE PIN	8	SS 303		98404A372 0.38 DIA X 1.2 GRIP LENGTH	McMASTER CARR	
21	MOUNTING BRACKET	1	SS 304		A-34544	2.00 X 2.00 X 0.19 X 8.00	
22	BALL VALVE 3-WAY	1	BRASS		B43XF4	WHITE	
23	MALE RUN TEE	3	SS 316		SS-200-3 TMT	SWAGELOK OR EQUAL	
24	MALE CONNECTOR	1	SS 316		SS-200-1-2	SWAGELOK OR EQUAL	
25	SPACER BAR	1	SS 304		B-34549-2	60.13 X 2.00 X 0.31	
26	SAFETY BAR	1	SS 304		B-34548-3		
27	CAUTION SIGN	1	ALUM		A-34550		
28	VENT	4	CS/NIPL		BV-1 0.125 NPT	UNIVERSAL COMPONENTS, INC.	
29	HHCS	16	SS 304		M10 X 1.5 X 20 mm (0.75)	PART OF ITEM 18	
30	MALE CONNECTOR	1	SS 316		SS-200-1-4	SWAGELOK OR EQUAL	



- NOTES:
- ADD SHIMS AS REQUIRED UNDER SCALE BASE FRAME AND TACK WELD.
 - FACTORY ADJUSTED STAYBARS. (STAYBARS SHOULD BE ADJUSTED TO TURN FREELY WITH MINIMAL AXIAL MOVEMENT. NUTS ARE SET WITH REMOVABLE THREAD LOCK.)
 - FULLY CLOSED: "A" = 14.25

C	ON BOM. ADDED ITEM 30. ON F/D ITEM 30 WAS 24	07/24/03	GMR	ALL SHARP CORNERS AND EDGES TO BE BROKEN	EMERY WINSLOW SCALE COMPANY SEYMOUR, CT U.S.A. TERRE HAUTE, IN.
B	ADDED ITEM 13. ITEM 29, QTY 16 WAS 4.	06/02/03	GMR	DIMENSIONS ARE IN INCHES.	
A	ITEM 25, 60.13 X 2.00 X 0.31 WAS 60.13 X 2.00 X 0.25	05/01/03	GMR	TOLERANCES UNLESS SPECIFIED OTHERWISE: MACHINING: .XXX ± .01 FABRICATION: .XXX ± .005	
REV	DESCRIPTION	DATE	BY		

THIS DRAWING IS THE PROPERTY OF EMERY WINSLOW SCALE COMPANY, SEYMOUR, CONNECTICUT. THE INFORMATION CONTAINED HEREIN IS CONFIDENTIAL AND IS NOT TO BE USED OR DISSEMINATED TO OTHERS WITHOUT THE EXPRESS WRITTEN CONSENT OF EMERY WINSLOW SCALE COMPANY.

SCALE FIRST USED ON: 1:5
DRAWING NO.: D-35779-
REV: C