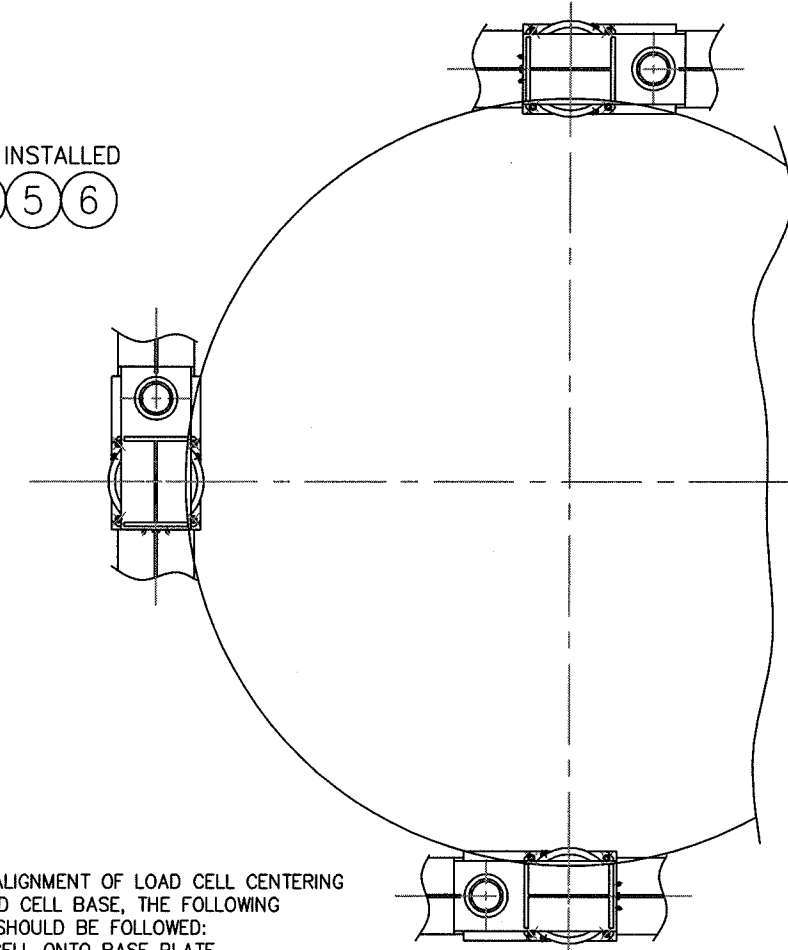
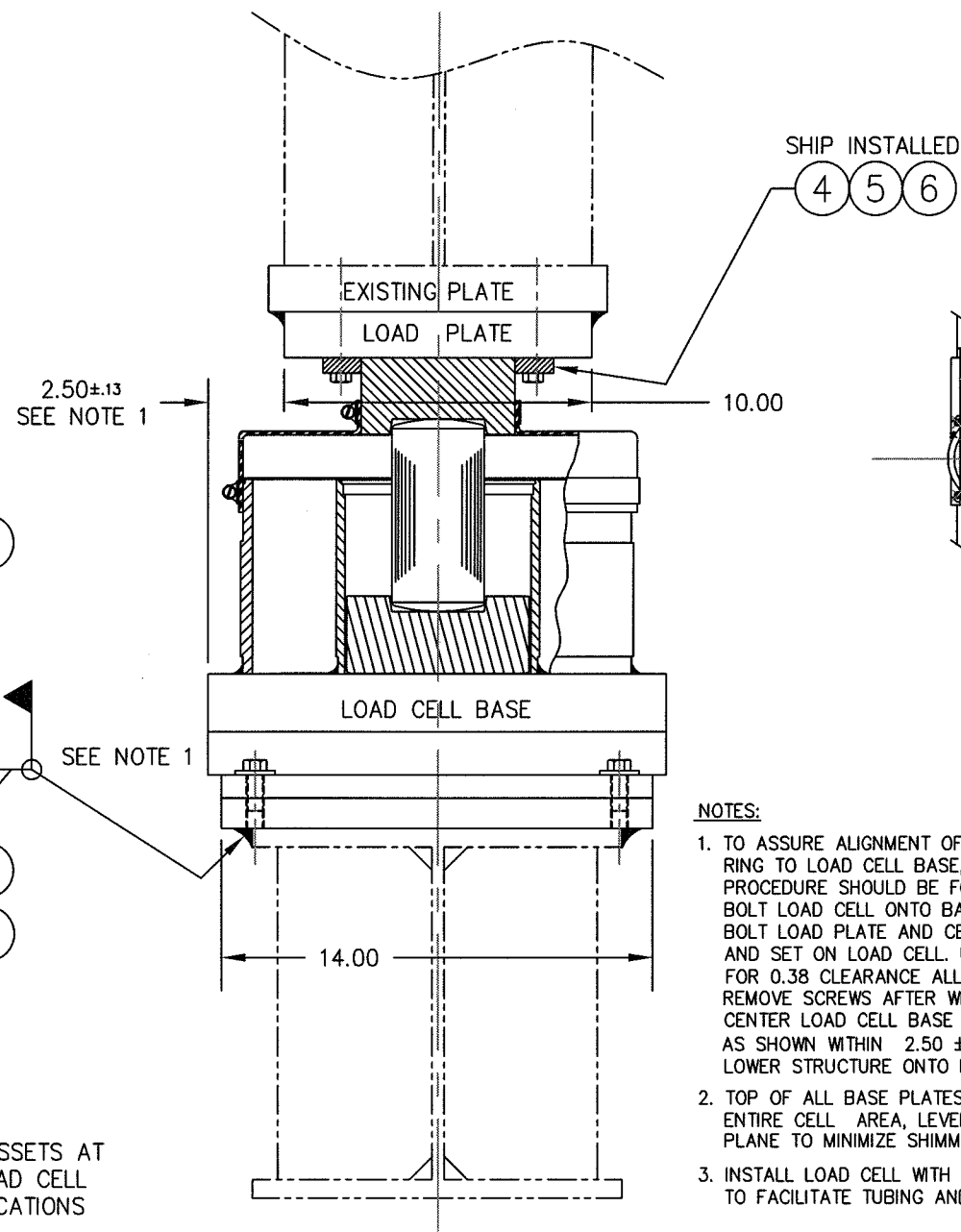


ITEM NO.	DESCRIPTION	QTY	MATERIAL	UNIT WT.	PART NO.	SIZE	WT.
1	LOAD CELL	1	SS 304		B-35461	136-150 CH 100 SQ IN	
2	LOAD PLATE/UPPER CHECK	1	CS		B-35439		
3	BASE PLATE/LOWER CHECK	1	CS		B-35440		
4	CENTERING RING	1	CS		B-34029		
5	HHCS	11	SS 304		0.500-13 UNC X 1.25		
6	WASHER MS15795	11	SS 304		0.531 ID X 1.06 OD	98019A509	McMASTER CARR
7	PIN	1	SS 17-4		B-36065		
8	WASHER	1	CS/ZP		FLAT WASHER Ø1.00		
9	COTTER PIN	2	CS/ZP		DIA. 0.188 X 2.00	98338A516	McMASTER CARR



**NOTES:**

1. TO ASSURE ALIGNMENT OF LOAD CELL CENTERING RING TO LOAD CELL BASE, THE FOLLOWING PROCEDURE SHOULD BE FOLLOWED:  
BOLT LOAD CELL ONTO BASE PLATE.  
BOLT LOAD PLATE AND CENTERING RING TOGETHER AND SET ON LOAD CELL. USE (3) SCREWS "A" TO SET FOR 0.38 CLEARANCE ALL AROUND BEFORE WELDING. REMOVE SCREWS AFTER WELDING.  
CENTER LOAD CELL BASE WITH RESPECT TO LOAD PLATE AS SHOWN WITHIN 2.50 ±.13.  
LOWER STRUCTURE ONTO LOAD PLATE AND WELD IN PLACE.
2. TOP OF ALL BASE PLATES MUST BE FLAT OVER ENTIRE CELL AREA, LEVEL, AND ON A COMMON PLANE TO MINIMIZE SHIMMING.
3. INSTALL LOAD CELL WITH FITTINGS ACCESSIBLE TO FACILITATE TUBING AND PURGING.

				ALL SHARP CORNERS AND EDGES TO BE BROKEN		EMERY WINSLOW SCALE COMPANY	
				UNLESS OTHERWISE SPECIFIED DIMENSIONS ARE IN INCHES		SEYMOUR, CT U.S.A TERRE HAUTE, IN.	
				MACHINING ±.01 XXX ±.005		FABRICATION ±.13	
LTR	REVISION	DATE	BY	DRAWN OT DATE 08-10-04		INSTALLATION OF SELF-CHECKING HYDROSTATIC COMPRESSION LOAD CELL ON STEEL MODEL 136-150 CH WITH HORIZONTAL & VERTICAL FORCE CHECKING	
THIS DRAWING IS THE PROPERTY OF EMERY WINSLOW SCALE COMPANY SEYMOUR, CONNECTICUT. THE INFORMATION CONTAINED HEREIN IS CONFIDENTIAL AND IS NOT TO BE USED OR DISSEMINATED TO OTHERS WITHOUT THE EXPRESS WRITTEN CONSENT OF EMERY WINSLOW SCALE COMPANY.				CHECKED DATE		SCALE FIRST USED ON DRAWING NO. REV.	
				ACAD FILENAME: ACO1191		1:6 J-19059 B-36064	
				LAYERS USED: ALL			