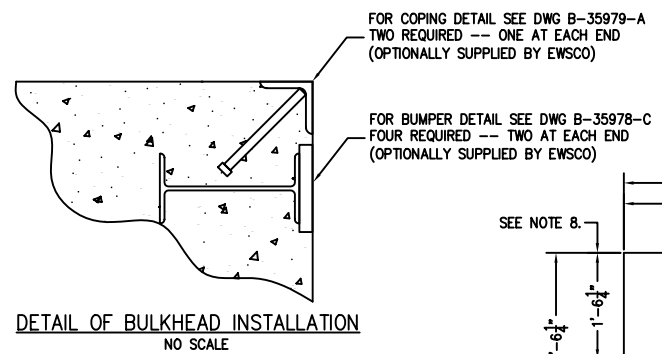


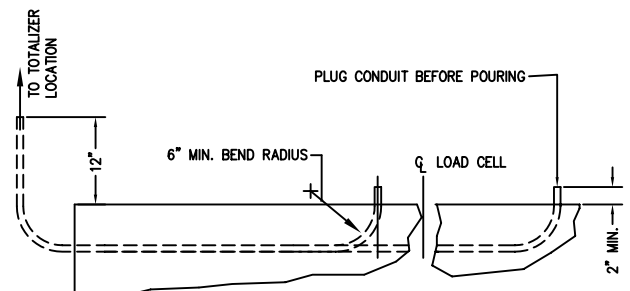
B-35979-A APPROACH COPING.  
(2) PLACES, (OPTIONALLY SUPPLIED BY EWSCO)

B-35978-C CHECK BOLT BUMPER  
(4) PLACES, (OPTIONALLY SUPPLIED BY EWSCO)

11' X 10' APPROACH APRON  
w/10" X 18.25" GRADE BEAM  
AT PERIMETER



PRELIMINARY NOT FOR CONSTRUCTION. FOR ILLUSTRATION ONLY.



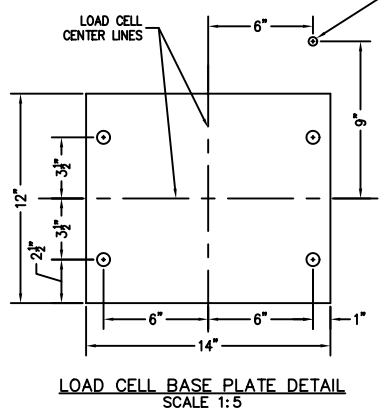
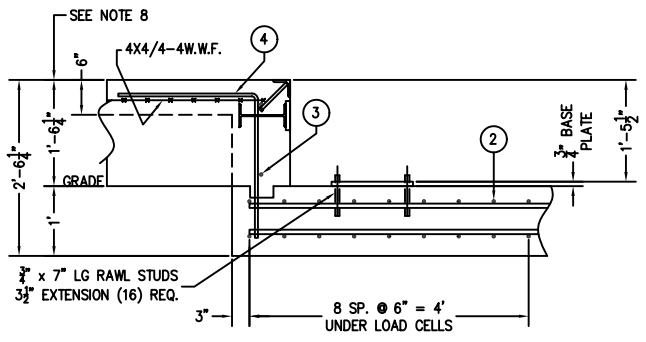
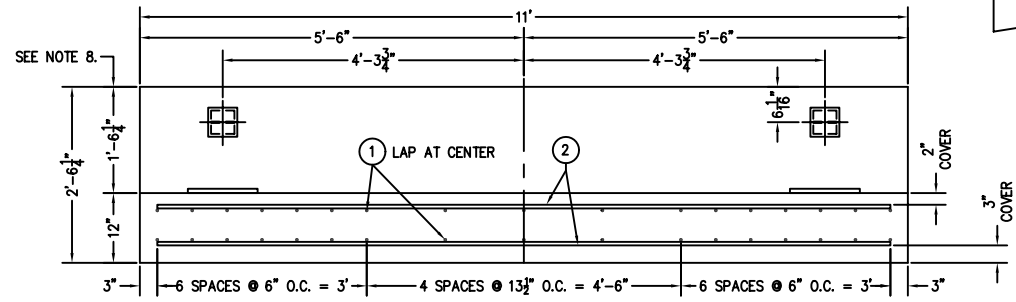
PRELIMINARY NOT FOR CONSTRUCTION. FOR ILLUSTRATION ONLY.

FOR NON COMMERCIAL SCALES PROVIDE AN APPROACH OF 2 FEET MINIMUM LENGTH WHICH IS LEVEL AND IN SAME PLANE AS THE PLATFORM.

FOR COMMERCIAL SCALES CHECK WITH LOCAL WEIGHTS AND MEASURES OFFICIALS BEFORE STARTING CONSTRUCTIONS.

NATIONAL INSTITUTE OF STANDARDS AND TECHNOLOGY (NIST) HANDBOOK 44 REQUIRES:

- A) A STRAIGHT APPROACH OF AT LEAST ONE-HALF THE LENGTH OF THE PLATFORM.
- B) NOT LESS THAN 10 FEET OF APPROACH ADJACENT TO THE PLATFORM TO BE CONSTRUCTED OF CONCRETE OR SIMILAR DURABLE MATERIAL AND BE LEVEL AND IN THE SAME PLANE AS THE PLATFORM.



PRELIMINARY NOT FOR CONSTRUCTION. FOR ILLUSTRATION ONLY.

MATERIAL REQUIREMENTS		TOTAL WT. OF REBAR		4063				
CONCRETE:		4	22	4	4'-0"	2'-0"	2'-0"	59
APPROACHES	6.4 CU YD	3	4	5	10'-6"			44
FOUNDATION	26 CU YD	2	156	5	10'-6"			1708
REINFORCING:		1	68	5	31'-9"	(26" MIN. OVERLAP)		2252
REBAR	4063 LB							
4X4/4-4WVF	220 SQ FT							
PIECE NO.	QTY	BAR SIZE	LENGTH & DESCRIPTION	WT.				

NOTES:

- CONCRETE STRENGTH: 4,000 PSI @ 28 DAYS
- REINFORCING ROD: GRADE 60, 60,000 PSI, ASTM A615
- SOIL BEARING IS ASSUMED TO BE 2,000 LB/SQ FT. TO BE VERIFIED IN THE FIELD BY END USER.
- SLAB TO BE FLAT WITHIN 0.25" AND LEVEL WITHIN 0.13" PER 10 FT.
- APPROACH COPING(BULKHEAD) TO BE ON A COMMON PLANE WITHIN 0.25".
- TOP OF REBAR MUST BE PLACED TO CLEAR THE ANCHOR BOLTS.
- ANCHOR BOLTS ARE TO BE INSTALLED AFTER FOUNDATION HAS CURED.
- SEE SPEC. A499-364-2 FOR ON SITE SUBSURFACE CONDITIONS.
- THE LENGTH FOR REBAR NO. 1 IS MINIMUM FOR 68 PIECES LAPPED. LONGER LAPS AND/OR PIECES MAY BE USED. MINIMUM LAP IS 26".
- BASE PLATES ARE NOT GROUTED. IF GROUTING IS REQUIRED ADD GROUT THICKNESS TO APPROACH DEPTH SHOWN.

FULL SIZE PLOT D-24X36

ALL SHARP CORNERS AND EDGES TO BE BROKEN		EMERY WINSLOW SCALE COMPANY SEYMOUR, CT U.S.A. TERRE HAUTE, IN.	
UNLESS OTHERWISE SPECIFIED DIMENSIONS ARE IN INCHES		MACHINING FABRICATION	
A	FOUNDATION CENTERS ADDED TO PLAN VIEW	11/08	CEM
LTR	REVISION	DATE	BY
THIS DRAWING IS THE PROPERTY OF EMERY WINSLOW SCALE COMPANY, SEYMOUR, CONNECTICUT. THE INFORMATION CONTAINED HEREIN IS CONFIDENTIAL AND IS NOT TO BE USED OR DISSEMINATED TO OTHERS WITHOUT THE EXPRESS WRITTEN CONSENT OF EMERY WINSLOW SCALE COMPANY.		DATE	06/12/08
DRAWN		DATE	06/12/08
CHECKED		DATE	
ACAD FILENAME:		T02734	
LAYERS USED:		ALL	
SCALE	FIRST USED ON	DRAWING NO.	REV.
1:30		D-72592	A