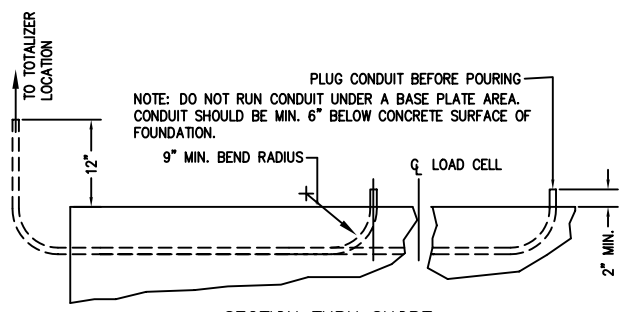
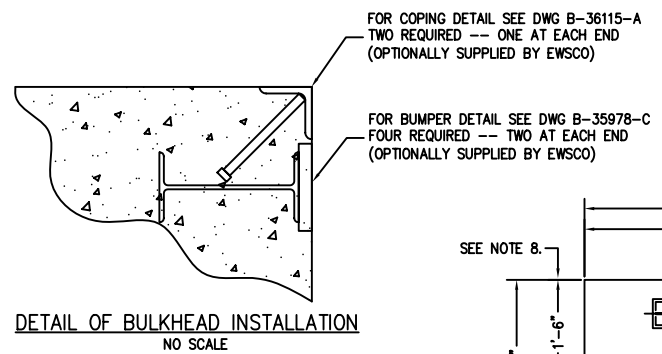


B-36115-A APPROACH COPING.
(2) PLACES, (OPTIONALLY SUPPLIED BY EWSCO)

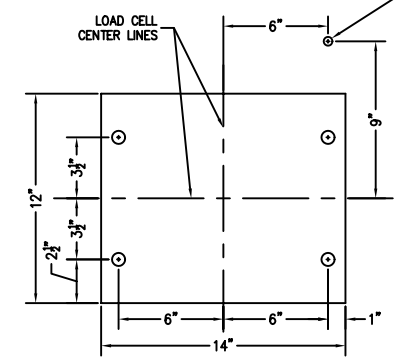
B-35978-C CHECK BOLT BUMPER
(4) PLACES, (OPTIONALLY SUPPLIED BY EWSCO)

12" X 10" APPROACH APRON
w/10" X 18" GRADE BEAM
AT PERIMETER

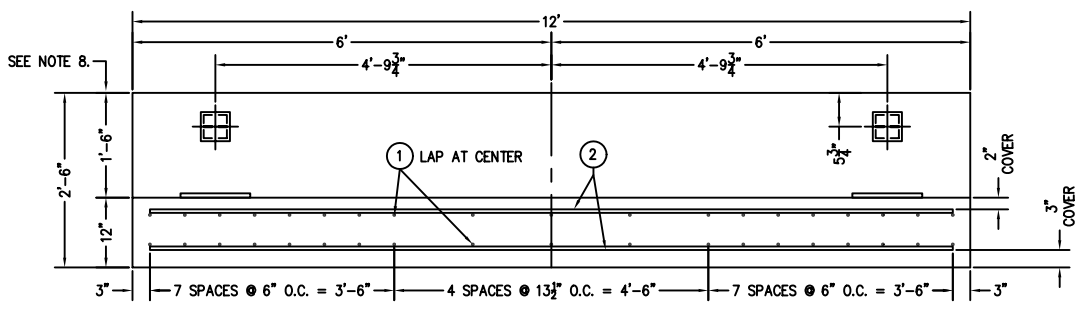


SECTION THRU SHORT
3/4" PVC CONDUIT (8) REQ.
SCALE 1:12
CONTINUOUS RUN FROM LOAD CELL TO TOTALIZER LOCATION

3/4" PVC CONDUIT FROM LOAD CELL LOCATION
TO TOTALIZER LOCATION (8) PLACES
ACCURATE LOCATION REQUIRED.

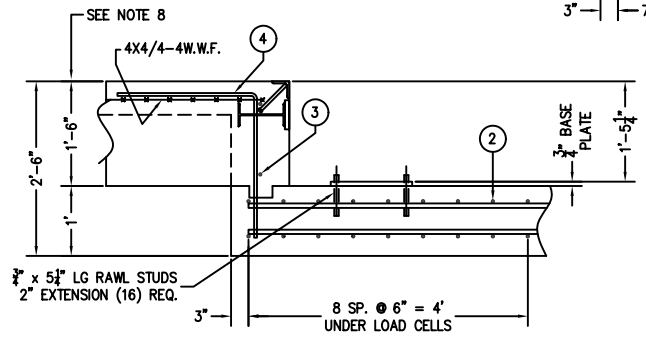


LOAD CELL BASE PLATE DETAIL
SCALE 1:5



SECTION B-B
ROTATED 90°; SCALE 1:15

MATERIAL REQUIREMENTS		TOTAL WT. OF REBAR			4500
CONCRETE:		4	24	4	64
APPROACHES	7 CU YD	3	4	5	48
FOUNDATION	26 CU YD	2	156	5	1871
REINFORCING:		1	76	5	2517
REBAR	4500 LB				(26" MIN. OVERLAP)
4X4/4-WWF	240 SQ FT				
PIECE NO.	QTY	BAR SIZE	LENGTH & DESCRIPTION	WT.	



SECTION C-C
SCALE 1:15

PRELIMINARY NOT FOR CONSTRUCTION. FOR ILLUSTRATION ONLY.

FOR NON COMMERCIAL SCALES PROVIDE AN APPROACH OF 2 FEET MINIMUM LENGTH WHICH IS LEVEL AND IN SAME PLANE AS THE PLATFORM.

FOR COMMERCIAL SCALES CHECK WITH LOCAL WEIGHTS AND MEASURES OFFICIALS BEFORE STARTING CONSTRUCTIONS.

NATIONAL INSTITUTE OF STANDARDS AND TECHNOLOGY (NIST) HANDBOOK 44 REQUIRES:

A) A STRAIGHT APPROACH OF AT LEAST ONE-HALF THE LENGTH OF THE PLATFORM.

B) NOT LESS THAN 10 FEET OF APPROACH ADJACENT TO THE PLATFORM TO BE CONSTRUCTED OF CONCRETE OR SIMILAR DURABLE MATERIAL AND BE LEVEL AND IN THE SAME PLANE AS THE PLATFORM.

- NOTES:
1. CONCRETE STRENGTH: 4,000 PSI @ 28 DAYS
 2. REINFORCING ROD: GRADE 60, 60,000 PSI, ASTM A615
 3. SOIL BEARING IS ASSUMED TO BE 2,000 LB/SQ FT. TO BE VERIFIED IN THE FIELD BY END USER.
 4. SLAB TO BE FLAT WITHIN 0.25" AND LEVEL WITHIN 0.13" PER 10 FT.
 5. APPROACH COPING(BULKHEAD) TO BE ON A COMMON PLANE WITHIN 0.25".
 6. TOP OF REBAR MUST BE PLACED TO CLEAR THE ANCHOR BOLTS.
 7. ANCHOR BOLTS ARE TO BE INSTALLED AFTER FOUNDATION HAS CURED.
 8. SEE SPEC. A499-364-2 FOR ON SITE SUBSURFACE CONDITIONS.
 9. THE LENGTH FOR REBAR NO. 1 IS MINIMUM FOR 76 PIECES LAPPED. LONGER LAPS AND/OR PIECES MAY BE USED. MINIMUM LAP IS 26".
 10. BASE PLATES ARE NOT GROUTED. IF GROUTING IS REQUIRED ADD GROUT THICKNESS TO APPROACH DEPTH SHOWN.

FULL SIZE PLOT D-24X36

ALL SHARP CORNERS AND EDGES TO BE BROKEN		EMERY WINSLOW SCALE COMPANY SEYMOUR, CT U.S.A. TERRE HAUTE, IN.	
UNLESS OTHERWISE SPECIFIED DIMENSIONS ARE IN INCHES		MODEL H84-10060-11CD-TA 100 TON, 60" X 11" WFTA M.T.S. A.G. SLAB FOUNDATION	
LTR	REVISION	DATE	BY
THIS DRAWING IS THE PROPERTY OF EMERY WINSLOW SCALE COMPANY, SEYMOUR, CONNECTICUT. THE INFORMATION CONTAINED HEREIN IS CONFIDENTIAL AND IS NOT TO BE USED OR DISSEMINATED TO OTHERS WITHOUT THE EXPRESS WRITTEN CONSENT OF EMERY WINSLOW SCALE COMPANY.		DRAWN	DATE
CHECKED		DATE	
ACAD FILENAME: T03205		SCALE	FIRST USED ON
LAYERS USED: ALL		1:30	DRAWING NO. D-73062
			REV.