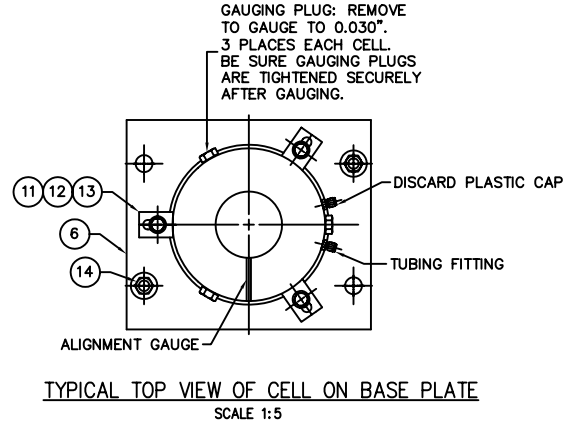
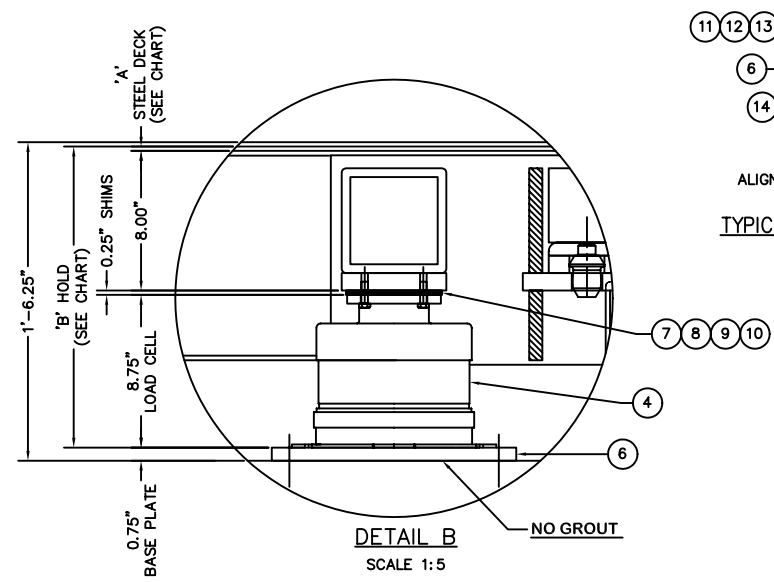
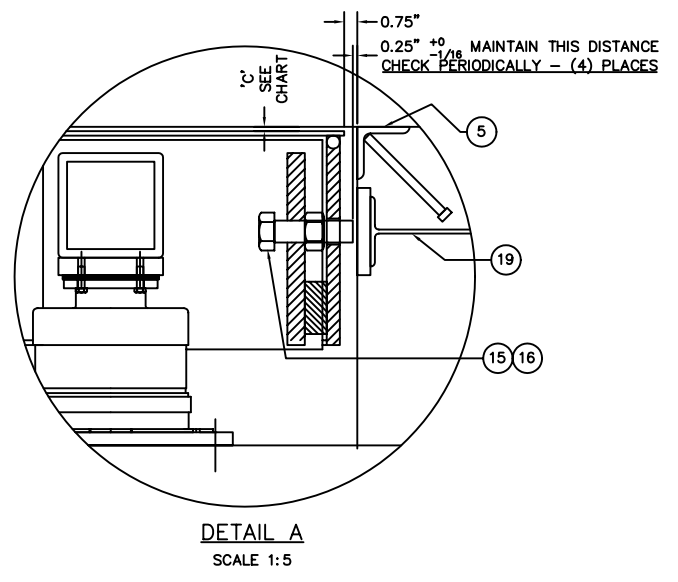
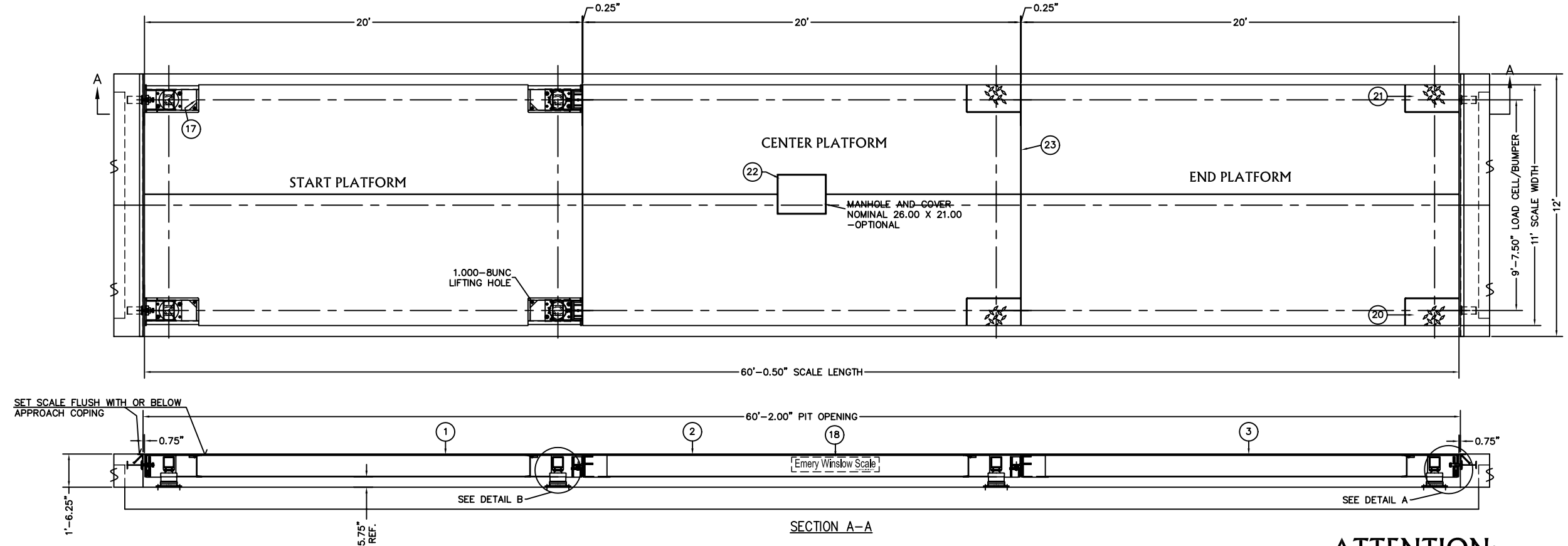


DECK PLATE THICKNESS CHART						
DASH NO.	A	B	C	ITEM 1 START PL. WT.	ITEM 2 CENTER PL. WT.	ITEM 3 END PL. WT.
-1	1/4"	1'-5.25"	0.25"	8041	7915	7863
-2	5/16"	1'-5.31"	0.19"	8601	8475	8423
-2	3/8"	1'-5.38"	0.13"	9167	9041	8989

ITEM NO.	DESCRIPTION	QTY	MATERIAL	UNIT WT.	PART NO.	SIZE	WT.	ITEM NO.	DESCRIPTION	QTY	MATERIAL	UNIT WT.	PART NO.	SIZE	WT.
1	START PLATFORM	1	SEE ASS'Y	see chart	D-72606-B		see chart	12	HHCS	24	SS	-		0.50-13UNC X 1.25	-
2	CTR PLATFORM	1	SEE ASS'Y	see chart	D-72607-B		see chart	13	MS FLAT WASHER	24	SS	-		FOR 0.5000", ONE PER CLAMP	-
3	END PLATFORM	1	SEE ASS'Y	see chart	D-72608-B		see chart	14	ANCHOR BOLT	16	ASTM A36	-	#6954	0.750 X 5.25 RAWL-POWER OR EQ.	-
4	LOAD CELL	8	SEE ASS'Y	63.00	D-29547-2	136-75-CH; NTEP NP. 88-239-P	504	15	HHCS	4	GR. 8	-		1.25-7UNC X 4.50 FULL THREAD, ZN PL	-
5	APPROACH COPING	2	SEE ASS'Y	91.00	B-36115-A	OPTIONALLY SUPPLIED BY EWSCO	182	16	TRI-LOCK NUT	4	GR. 2H	-		1.25-7UNC, ZN PL	-
6	BASE PLATE	8	ASTM A36	35.70	B-35931-D		286	17	SERIAL NUMBER PLATE	1	SS	-	B-34821-D		-
7	CENTERING RING	8	A/R	1.50	B-29871-E		12	18	EWSCO DECAL	2	-	-	A-35412-A	8.00 X 48.00	-
8	SHIM	24	SS	0.50	A-29869-1-D	0.06 THICK	12	19	CHECK BOLT BUMPER	4	SEE ASS'Y	10.00	B-35978-C	OPTIONALLY SUPPLIED BY EWSCO	40
9	SHIM	16	SS	0.30	A-29869-2-D	0.03 THICK	5	20	COVER PLATE, RIGHT	4	ASTM A36	-	B-36465-C		-
10	HHCS	32	SS	-	-	0.375-13UNC X 1.25	-	21	COVER PLATE, LEFT	4	ASTM A36	-	B-36466-C		-
11	CLAMP	24	CS, ZN PL	-	A-29870-2-B		-	22	MANHOLE	A/R	ASTM A36	-	B-36488	OPTIONALLY SUPPLIED BY EWSCO	-
								23	SEALING MASTIC	A/R	-	-	-	BY OTHERS	-



ATTENTION:
SEE NOTE 1 ON INSTALLATION
DRAWING # D-36118

FOR NON COMMERCIAL SCALES PROVIDE AN APPROACH OF 2 FEET MINIMUM LENGTH WHICH IS LEVEL AND IN SAME PLANE AS THE PLATFORM.
FOR COMMERCIAL SCALES CHECK WITH LOCAL WEIGHTS AND MEASURES OFFICIALS BEFORE STARTING CONSTRUCTIONS.
NATIONAL INSTITUTE OF STANDARDS AND TECHNOLOGY (NIST) HANDBOOK 44 REQUIRES:
A) A STRAIGHT APPROACH OF AT LEAST ONE-HALF THE LENGTH OF THE PLATFORM.
B) NOT LESS THAN 10 FEET OF APPROACH ADJACENT TO THE PLATFORM TO BE CONSTRUCTED OF CONCRETE OR SIMILAR DURABLE MATERIAL AND BE LEVEL AND IN THE SAME PLANE AS THE PLATFORM.

PRELIMINARY NOT FOR CONSTRUCTION. FOR ILLUSTRATION ONLY.

DRAWING REFERENCES:
D-72598-A SLAB FOUNDATION
D-72599-A ALTERNATE FOUNDATION
D-36118-E INSTALLATION INSTRUCTIONS
B-33069-G 4 SECTION TUBING DIAGRAM
NTEP NO. 89-185PA3
CLC = 58,000 LB CLASS III

ALL SHARP CORNERS AND EDGES TO BE BROKEN				EMERY WINSLOW SCALE COMPANY SEYMOUR, CT U.S.A. TERRE HAUTE, IN.			
UNLESS OTHERWISE SPECIFIED DIMENSIONS ARE IN INCHES				MODEL H84-10060-11SD-TA 60' X 11', 100 TON; ROADWEIGH II AG OUTLINE ARRANGEMENT			
A	ITEM 14 WAS 7\"/>						