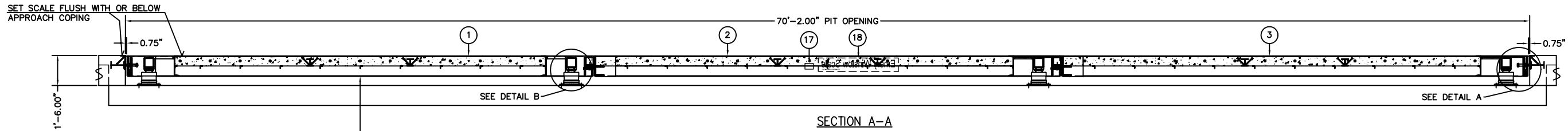
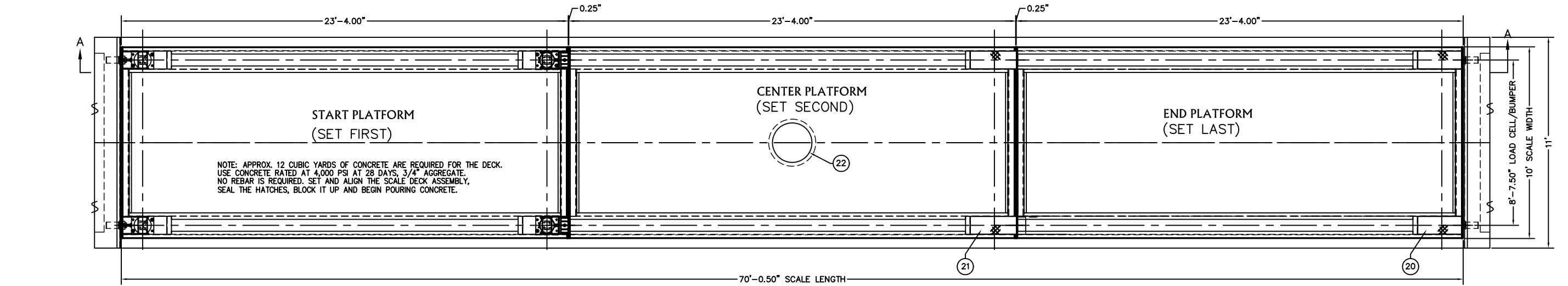


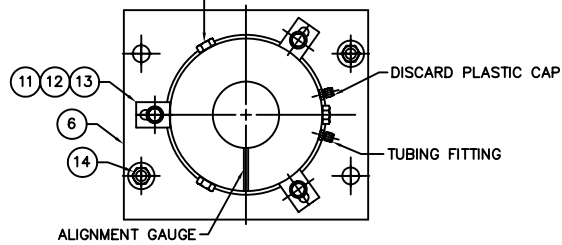
ITEM NO.	DESCRIPTION	QTY	MATERIAL	UNIT WT.	PART NO.	SIZE	WT.	ITEM NO.	DESCRIPTION	QTY	MATERIAL	UNIT WT.	PART NO.	SIZE	WT.
1	START PLATFORM	1	SEE ASS'Y	6452	D-72929		6452	12	HHCS	24	SS	-		0.50-13UNC X 1.25	-
2	CTR PLATFORM	1	SEE ASS'Y	6342	D-72930		6342	13	MS FLAT WASHER	24	SS	-		FOR 0.500", ONE PER CLAMP	-
3	END PLATFORM	1	SEE ASS'Y	6291	D-72931		6291	14	ANCHOR BOLT	16	ASTM A36	-	#7446	0.750 X 7.00	-
4	LOAD CELL	8	SEE ASS'Y	63.00	D-29547-2	136-75-CH; NTEP NP. 88-239-P	504	15	HHCS	4	GR. 8	-		1.25-7UNC X 6.00 FULL THREAD, ZN PL	-
5	APPROACH COPING	2	SEE ASS'Y	84.00	B-35979-A	OPTIONALLY SUPPLIED BY EWSCO	168	16	TRI-LOCK NUT	4	GR. 2H	-		1.25-7UNC, ZN PL	-
6	BASE PLATE	8	ASTM A36	35.70	B-35931-D		286	17	SERIAL NUMBER PLATE	1	SS	-	B-34821-D		-
7	CENTERING RING	8	A/R	1.50	B-29871-E		12	18	EWSCO DECAL	2	-	-	A-35412-A	8.00 X 48.00	-
8	SHIM	24	SS	0.50	A-29869-1-D	0.06 THICK	12	19	CHECK BOLT BUMPER	4	SEE ASS'Y	10.00	B-35978-C	OPTIONALLY SUPPLIED BY EWSCO	40
9	SHIM	16	SS	0.30	A-29869-2-D	0.03 THICK	5	20	END COVER PLATE	4	ASTM A36	51	B-72985		204
10	HHCS	32	SS	-		0.375-13UNC X 1.25	-	21	CENTER COVER PLATE	4	ASTM A36	54	B-72986		216
11	CLAMP	24	CS, ZN PL	-	A-29870-2-B		-	22	*MANHOLE	A/R	ASTM A36	-	B-71041	OPTIONALLY SUPPLIED BY EWSCO	-

*REQUIRES A SPECIALLY REINFORCED PLATFORM TO ACCEPT A MANHOLE.

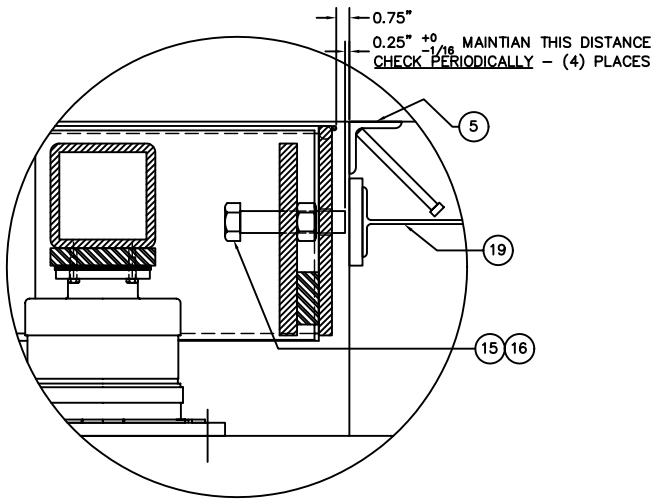


SHORE UP DECK AT MID-SPAN UNTIL CONCRETE CURES. USE HARDWOOD BLOCKS UNDERNEATH THE OUTSIDE WIDE FLANGE BEAMS, SIX (6) BLOCKS REQUIRED, APPROXIMATELY 16\"/>

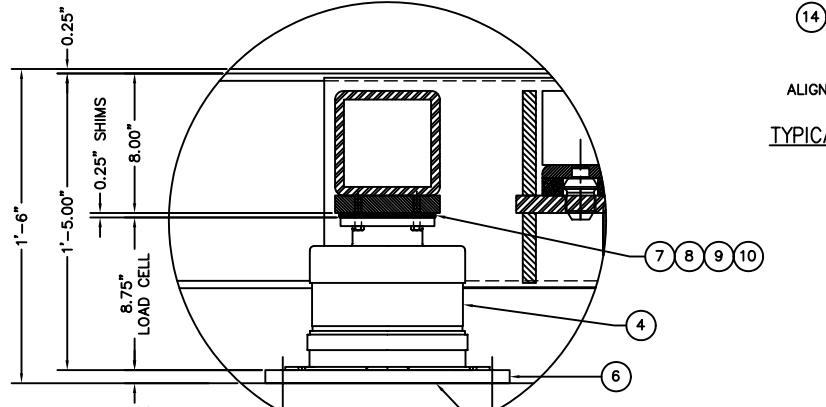
GAUGING PLUG: REMOVE TO GAUGE TO 0.030\"/>



TYPICAL TOP VIEW OF CELL ON BASE PLATE SCALE 1:5



DETAIL A SCALE 1:5



DETAIL B SCALE 1:5

ATTENTION:
SEE NOTE 1 ON INSTALLATION
DRAWING # D-72974

FOR NON COMMERCIAL SCALES PROVIDE AN APPROACH OF 2 FEET MINIMUM LENGTH WHICH IS LEVEL AND IN SAME PLANE AS THE PLATFORM.
FOR COMMERCIAL SCALES CHECK WITH LOCAL WEIGHTS AND MEASURES OFFICIALS BEFORE STARTING CONSTRUCTIONS.
NATIONAL INSTITUTE OF STANDARDS AND TECHNOLOGY (NIST) HANDBOOK 44 REQUIRES:
A) A STRAIGHT APPROACH OF AT LEAST ONE-HALF THE LENGTH OF THE PLATFORM.
B) NOT LESS THAN 10 FEET OF APPROACH ADJACENT TO THE PLATFORM TO BE CONSTRUCTED OF CONCRETE OR SIMILAR DURABLE MATERIAL AND BE LEVEL AND IN THE SAME PLANE AS THE PLATFORM.

NOTE: 13 CUBIC YARDS OF CONCRETE ARE REQUIRED FOR THE DECK.
DRAWING REFERENCES:
D-72972 SLAB FOUNDATION
D-72973 ALTERNATE FOUNDATION
D-72974 INSTALLATION INSTRUCTIONS
B-33069-G 4 SECTION TUBING DIAGRAM
NTEP NO. 89-185PA3
CLC = 58,000 LB CLASS III

PRELIMINARY NOT FOR CONSTRUCTION. FOR ILLUSTRATION ONLY.

ALL SHARP CORNERS AND EDGES TO BE BROKEN				EMERY WINSLOW SCALE COMPANY SEYMOUR, CT U.S.A. TERRE HAUTE, IN.			
UNLESS OTHERWISE SPECIFIED DIMENSIONS ARE IN INCHES				MODEL H84-10070-10CD-TA 70' X 10', 100 TON; I-BEAM DESIGN AG OUTLINE ARRANGEMENT			
LTR	REVISION	DATE	BY	DRAWN	CEM	DATE	05/01/09
THIS DRAWING IS THE PROPERTY OF EMERY WINSLOW SCALE COMPANY SEYMOUR, CONNECTICUT. THE INFORMATION CONTAINED HEREIN IS CONFIDENTIAL AND IS NOT TO BE USED OR DISSEMINATED TO OTHERS WITHOUT THE EXPRESS WRITTEN CONSENT OF EMERY WINSLOW SCALE COMPANY.				CHECKED	DATE	ACAD FILENAME:	T03114
				LAYERS USED:	ALL	SCALE	1:30
				FIRST USED ON	DRAWING NO.	D-72971	
				REV.			

FULL SIZE PLOT D-24X36