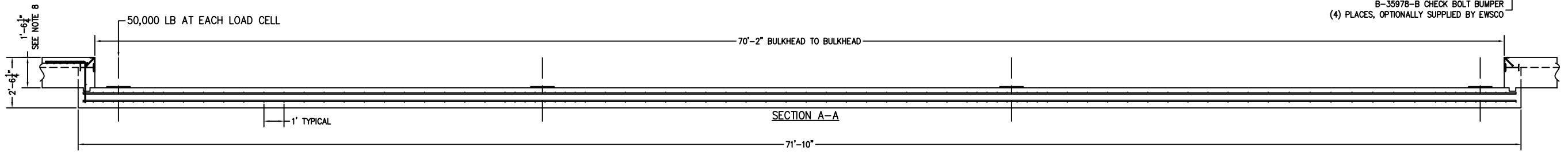
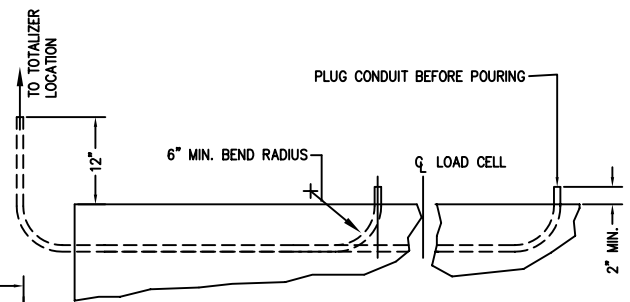
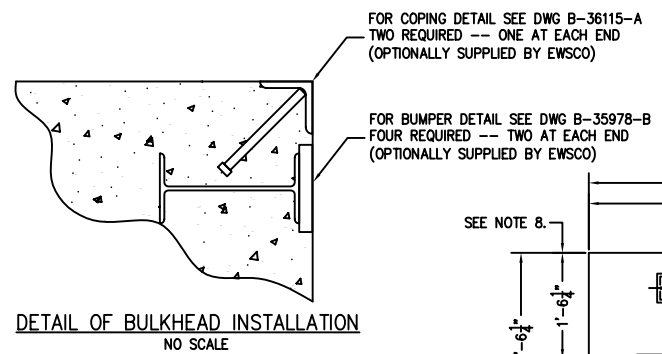


B-36115-A APPROACH COPING.  
(2) PLACES, (OPTIONALLY SUPPLIED BY EWSCO)  
B-35978-B CHECK BOLT BUMPER  
(4) PLACES, OPTIONALLY SUPPLIED BY EWSCO  
12' X 10' APPROACH APRON  
w/10" X 18.25" GRADE BEAM  
AT PERIMETER

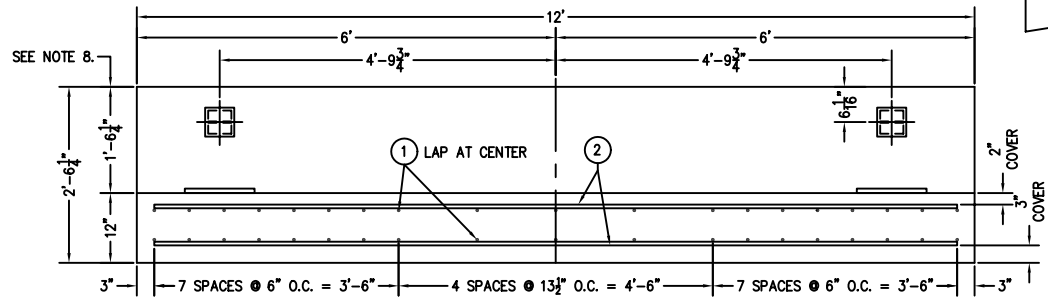


PRELIMINARY NOT FOR CONSTRUCTION. FOR ILLUSTRATION ONLY.

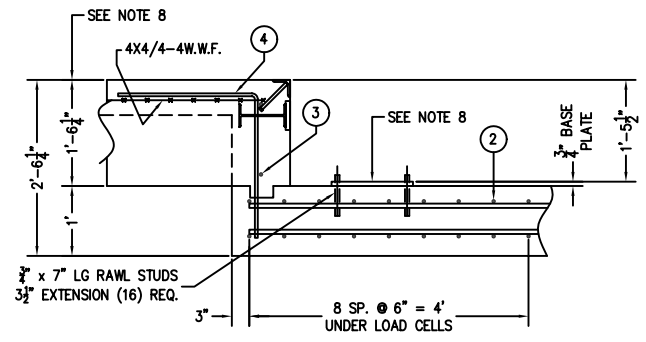
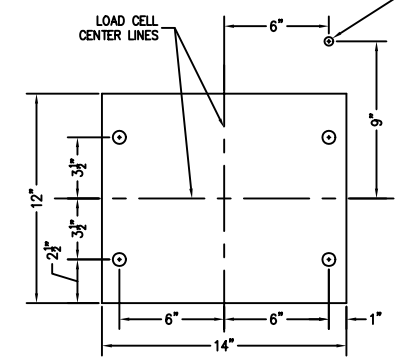


PRELIMINARY NOT FOR CONSTRUCTION. FOR ILLUSTRATION ONLY.

FOR NON COMMERCIAL SCALES PROVIDE AN APPROACH OF 2 FEET MINIMUM LENGTH WHICH IS LEVEL AND IN SAME PLANE AS THE PLATFORM.  
FOR COMMERCIAL SCALES CHECK WITH LOCAL WEIGHTS AND MEASURES OFFICIALS BEFORE STARTING CONSTRUCTIONS.  
NATIONAL INSTITUTE OF STANDARDS AND TECHNOLOGY (NIST) HANDBOOK 44 REQUIRES:  
A) A STRAIGHT APPROACH OF AT LEAST ONE-HALF THE LENGTH OF THE PLATFORM.  
B) NOT LESS THAN 10 FEET OF APPROACH ADJACENT TO THE PLATFORM TO BE CONSTRUCTED OF CONCRETE OR SIMILAR DURABLE MATERIAL AND BE LEVEL AND IN THE SAME PLANE AS THE PLATFORM.



1/2" PVC CONDUIT FROM LOAD CELL LOCATION TO TOTALIZER LOCATION (8) PLACES ACCURATE LOCATION REQUIRED.



- NOTES:
1. CONCRETE STRENGTH: 4,000 PSI @ 28 DAYS
  2. REINFORCING ROD: GRADE 60, 60,000 PSI, ASTM A615
  3. SOIL BEARING IS ASSUMED TO BE 2,000 LB/SQ FT. TO BE VERIFIED IN THE FIELD BY END USER.
  4. SLAB TO BE FLAT WITHIN 0.25" AND LEVEL WITHIN 0.13" PER 10 FT.
  5. APPROACH COPING(BULKHEAD) TO BE ON A COMMON PLANE WITHIN 0.25".
  6. TOP OF REBAR MUST BE PLACED TO CLEAR THE ANCHOR BOLTS.
  7. ANCHOR BOLTS ARE TO BE INSTALLED AFTER FOUNDATION HAS CURED.
  8. SEE SPEC. A499-364-2 FOR ON SITE SUBSURFACE CONDITIONS.
  9. THE LENGTH FOR REBAR NO. 1 IS MINIMUM FOR 68 PIECES LAPPED. LONGER LAPS AND/OR PIECES MAY BE USED. MINIMUM LAP IS 26".
  10. BASE PLATES ARE NOT GROUTED. IF GROUTING IS REQUIRED ADD GROUT THICKNESS TO APPROACH DEPTH SHOWN.

MATERIAL REQUIREMENTS		TOTAL WT. OF REBAR		5136			
CONCRETE:		4	24	4	4'-0"	2'-0"	64
APPROACHES	9 CU YD	3	4	5	11'-6"		48
FOUNDATION	32 CU YD	2	176	5	11'-6"		2111
REINFORCING:		1	76	5	36'-9"	(26" MIN. OVERLAP)	2913
REBAR	5136 LB						
4X4/4-WWF	240 SQ FT	PIECE NO.	QTY	BAR SIZE	LENGTH & DESCRIPTION		WT.

FULL SIZE PLOT D-24X36

ALL SHARP CORNERS AND EDGES TO BE BROKEN		EMERY WINSLOW SCALE COMPANY	
UNLESS OTHERWISE SPECIFIED DIMENSIONS ARE IN INCHES		SEYMOUR, CT U.S.A. TERRE HAUTE, IN.	
MACHINING	FABRICATION	ABOVE GROUND SLAB FOUNDATION FOR 84-10070-11-TA, 100 TON 70' X 11' TOP ACCESS MTS	
± .015	± .13	SCALE	FIRST USED ON
05/28/08	05/28/08	1:30	D-72139
CHECKED	DATE	DRAWING NO.	REV.
ACAD FILENAME:	T02276		
LAYERS USED:	ALL		