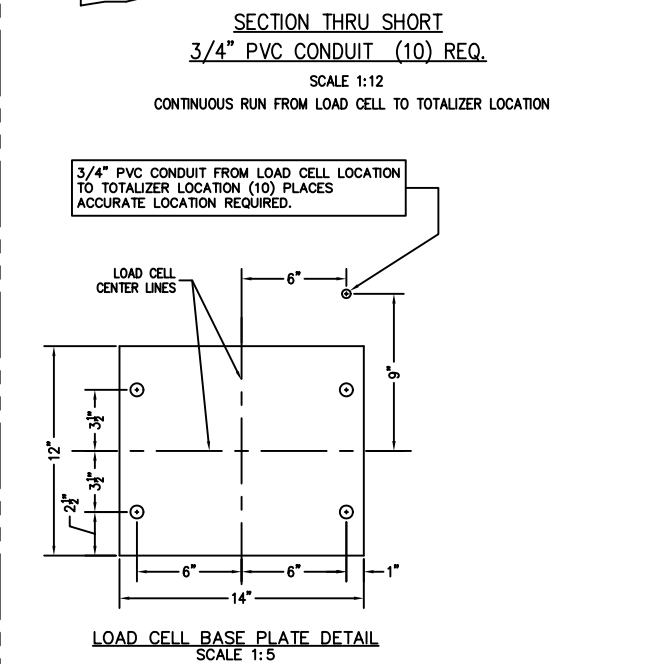
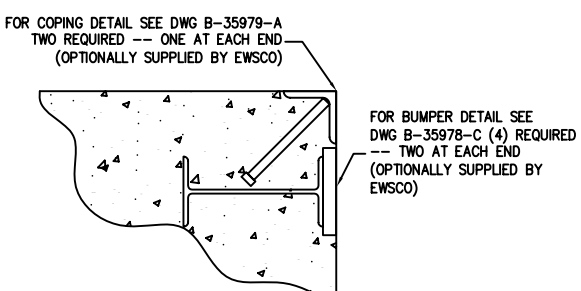
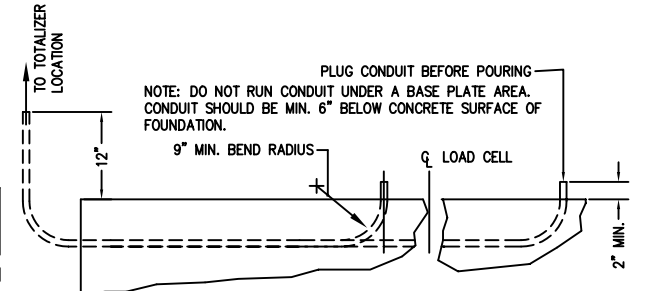
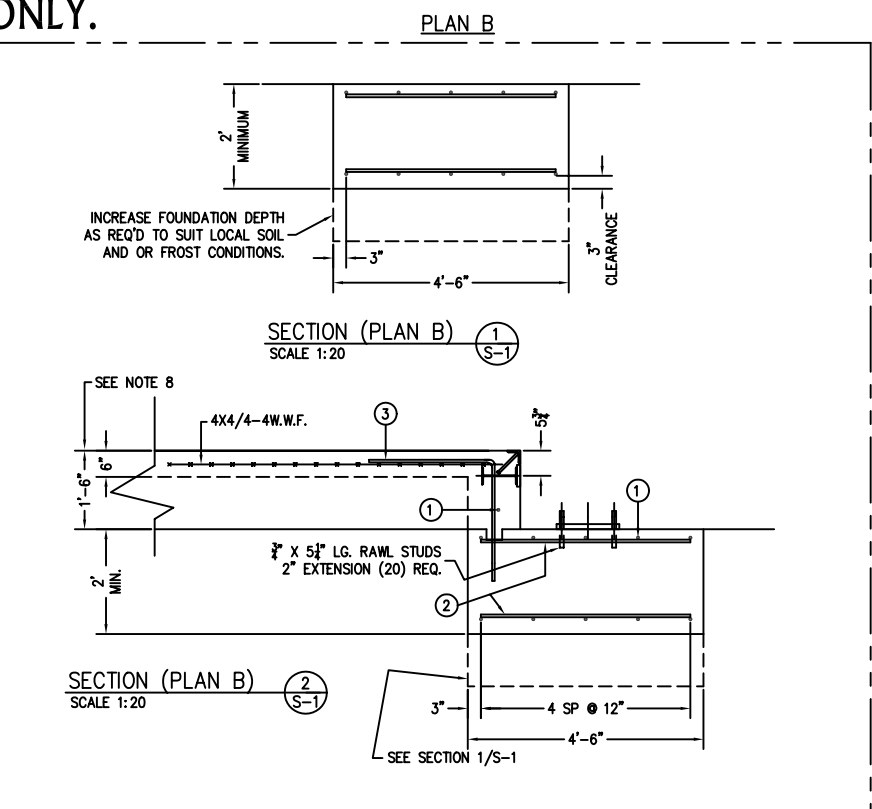
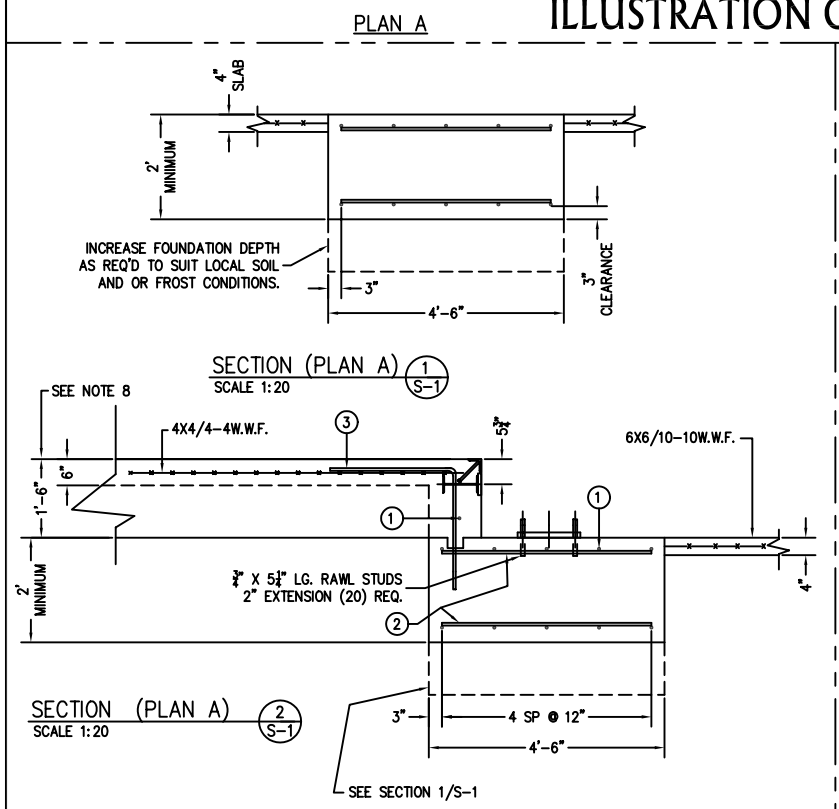


PRELIMINARY NOT FOR CONSTRUCTION. FOR ILLUSTRATION ONLY.



FOR COPING DETAIL SEE DWG B-35979-A TWO REQUIRED -- ONE AT EACH END (OPTIONALLY SUPPLIED BY EWSCO)

FOR BUMPER DETAIL SEE DWG B-35978-C (4) REQUIRED -- TWO AT EACH END (OPTIONALLY SUPPLIED BY EWSCO)

FOR NON COMMERCIAL SCALES PROVIDE AN APPROACH OF 2 FEET MINIMUM LENGTH WHICH IS LEVEL AND IN SAME PLANE AS THE PLATFORM.

FOR COMMERCIAL SCALES CHECK WITH LOCAL WEIGHTS AND MEASURES OFFICIALS BEFORE STARTING CONSTRUCTIONS. NATIONAL INSTITUTE OF STANDARDS AND TECHNOLOGY (NIST) HANDBOOK H44 REQUIRES:

- A STRAIGHT APPROACH OF AT LEAST ONE-HALF THE LENGTH OF THE PLATFORM.
- NOT LESS THAN 10 FEET OF APPROACH ADJACENT TO THE PLATFORM TO BE CONSTRUCTED OF CONCRETE OR SIMILAR DURABLE MATERIAL AND BE LEVEL AND IN THE SAME PLANE AS THE PLATFORM.

NOTES:

- CONCRETE STRENGTH: $f'_c = 4,000$ PSI @ 28 DAYS
REINFORCING ROD: $F_y = 60,000$ PSI, ASTM A615, GRADE 60
- PIERS AS SHOWN ARE SIZED FOR 3,000 SQ.FT.
- THE CONCRETE AND REBAR SPECIFICATIONS SHOWN ARE FOR A NATIONWIDE RANGE OF CONDITIONS AND MAY NEED MODIFICATION FOR LOCAL CONDITIONS.
- APPROACH COPING(BULKHEAD) TO BE ON A COMMON PLANE WITHIN 1/4".
- TOP OF REBAR MUST BE PLACED TO CLEAR THE ANCHOR BOLTS. ANCHOR BOLTS ARE TO BE INSTALLED AFTER FOUNDATION HAS CURED.
- PIERS MUST BE INSTALLED WITH EXTREME CARE AND MUST NOT BE ALLOWED TO SHIFT.
- THESE PLANS ARE NOT SUITABLE WHERE SOIL MIGRATION IS AN ISSUE. SOIL MUST BE STABLE AND NOT SUBJECT TO FLOODING OR OTHER POSSIBLE CAUSES OF SOIL MIGRATION THAT MAY RESULT IN SHIFTING OF THE PIERS.
- BASE PLATES ARE NOT GROUTED. IF GROUTING IS REQUIRED ADD GROUT THICKNESS TO APPROACH DEPTH SHOWN.

MATERIAL REQUIREMENTS		TOTAL WT. OF REBAR		875
PLAN A:				
CONCRETE:				
APPROACHES	6.4 CU. YDS			59
FOUNDATION 'A'	27 CU. YDS			334
REINFORCING:				482
REBAR 'A'	875			
4X4/4-4WWF	220 SQ FT			
6X6/10-10WWF	653 SQ FT			
PIECE NO.	QTY	BAR SIZE	LENGTH & DESCRIPTION	WT.
3	22	4	4'-0" 2'-0"	59
2	80	5	4'-0"	334
1	44	5	10'-6"	482

MATERIAL REQUIREMENTS		TOTAL WT. OF REBAR		875
PLAN B:				
CONCRETE:				
APPROACHES	6.4 CU. YDS			59
FOUNDATION 'B'	19 CU. YDS			334
REINFORCING:				482
REBAR 'B'	875			
4X4/4-4WWF	220 SQ FT			
PIECE NO.	QTY	BAR SIZE	LENGTH & DESCRIPTION	WT.
3	22	4	4'-0" 2'-0"	59
2	80	5	4'-0"	334
1	44	5	10'-6"	482

ALL SHARP CORNERS AND EDGES TO BE BROKEN

UNLESS OTHERWISE SPECIFIED DIMENSIONS ARE IN INCHES

MACHINING FABRICATION
± .13
± .005

THIS DRAWING IS THE PROPERTY OF EMERY WINSLOW SCALE COMPANY SEYMOUR, CONNECTICUT. THE INFORMATION CONTAINED HEREIN IS CONFIDENTIAL AND IS NOT TO BE USED OR DISSEMINATED TO OTHERS WITHOUT THE EXPRESS WRITTEN CONSENT OF EMERY WINSLOW SCALE COMPANY.

EMERY WINSLOW SCALE COMPANY
SEYMOUR, CT U.S.A. TERRE HAUTE, IN.

MODEL H85-10080-10CD-TA
100 TON, 80' X 10' ROADWEIGH II
A.C. ALTERNATE FOUNDATION

SCALE 1:30 FIRST USED ON DRAWING NO. D-73074 REV.

DATE 08/05/09
DRAWN CEM DATE 08/05/09
CHECKED DATE
ACAD FILENAME: T03217
LAYERS USED: ALL

FULL SIZE PLOT D-24X36