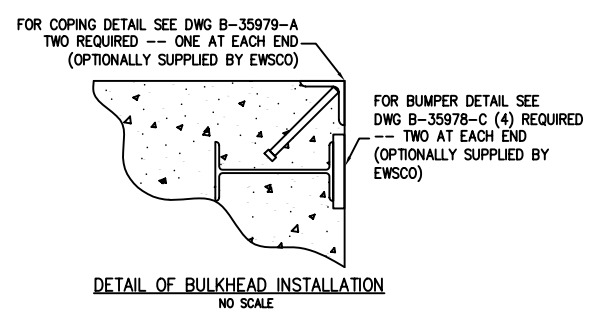
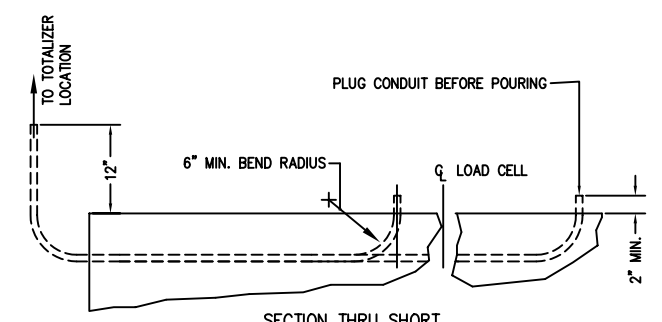
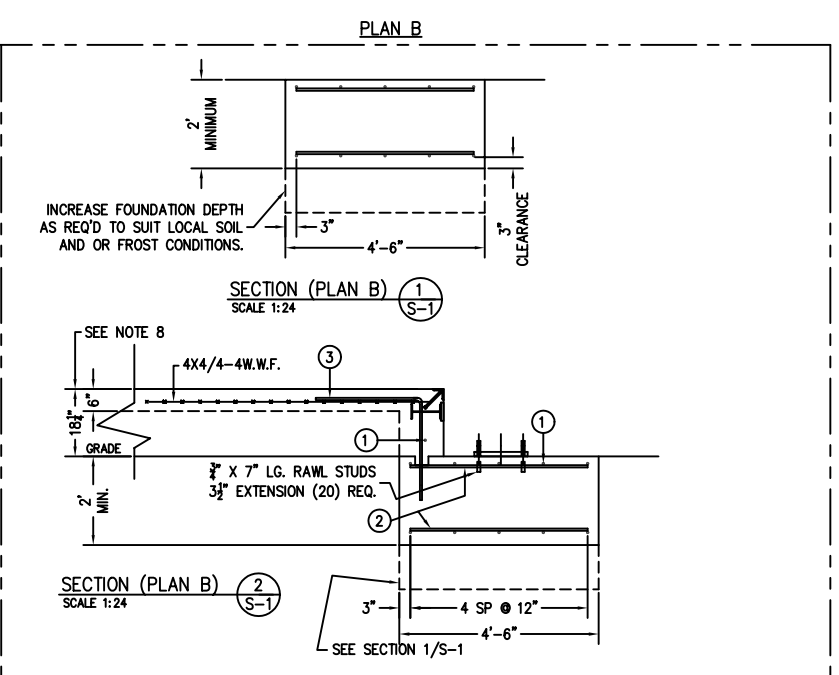
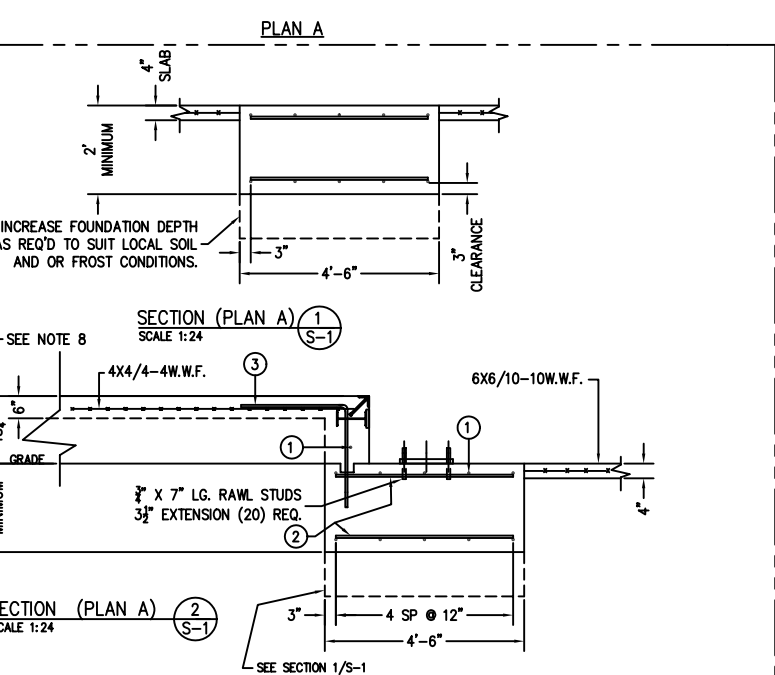


PRELIMINARY NOT FOR CONSTRUCTION. FOR ILLUSTRATION ONLY.

PRELIMINARY NOT FOR CONSTRUCTION. FOR ILLUSTRATION ONLY.



FOR NON COMMERCIAL SCALES PROVIDE AN APPROACH OF 2 FEET MINIMUM LENGTH WHICH IS LEVEL AND IN SAME PLANE AS THE PLATFORM.

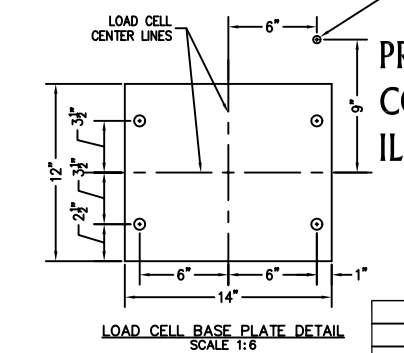
FOR COMMERCIAL SCALES CHECK WITH LOCAL WEIGHTS AND MEASURES OFFICIALS BEFORE STARTING CONSTRUCTIONS. NATIONAL INSTITUTE OF STANDARDS AND TECHNOLOGY (NIST) HANDBOOK H44 REQUIRES:  
 A.) A STRAIGHT APPROACH OF AT LEAST ONE-HALF THE LENGTH OF THE PLATFORM.  
 B.) NOT LESS THAN 10 FEET OF APPROACH ADJACENT TO THE PLATFORM TO BE CONSTRUCTED OF CONCRETE OR SIMILAR DURABLE MATERIAL AND BE LEVEL AND IN THE SAME PLANE AS THE PLATFORM.

- NOTES:
1. CONCRETE STRENGTH:  $f'_c = 4,000$  PSI @ 28 DAYS  
REINFORCING ROD:  $F_y = 60,000$  PSI, ASTM A615, GRADE 60
  2. PIERS AS SHOWN ARE SIZED FOR 3,000 LB/SQ.FT.
  3. THE CONCRETE AND REBAR SPECIFICATIONS SHOWN ARE FOR A NATIONWIDE RANGE OF CONDITIONS AND MAY NEED MODIFICATION FOR LOCAL CONDITIONS.
  4. APPROACH COPING(BULKHEAD) TO BE ON A COMMON PLANE WITHIN 1/4\".
  5. TOP OF REBAR MUST BE PLACED TO CLEAR THE ANCHOR BOLTS. ANCHOR BOLTS ARE TO BE INSTALLED AFTER FOUNDATION HAS CURED.
  6. PIERS MUST BE INSTALLED WITH EXTREME CARE AND MUST NOT BE ALLOWED TO SHIFT.
  7. THESE PLANS ARE NOT SUITABLE WHERE SOIL MIGRATION IS AN ISSUE. SOIL MUST BE STABLE AND NOT SUBJECT TO FLOODING OR OTHER POSSIBLE CAUSES OF SOIL MIGRATION THAT MAY RESULT IN SHIFTING OF THE PIERS.
  8. BASE PLATES ARE NOT GROUTED. IF GROUTING IS REQUIRED ADD GROUT THICKNESS TO APPROACH DEPTH SHOWN.

MATERIAL REQUIREMENTS		TOTAL WT. OF REBAR		1067	
<b>PLAN A:</b>					
CONCRETE:					
APPROACHES	6.4 CU. YDS				59
FOUNDATION 'A'	26 CU. YDS				417
REINFORCING:					591
REBAR 'A'	1067				
4X4/4-4WWF	220 SQ FT				
6X6/10-10WWF	631 SQ FT				
PIECE NO.	QTY	BAR SIZE	LENGTH & DESCRIPTION	WT.	
3	22	4	4'-0"	2'-0"	
2	100	5	4'-0"		
1	54	5	10'-6"		

MATERIAL REQUIREMENTS		TOTAL WT. OF REBAR		1067	
<b>PLAN B:</b>					
CONCRETE:					
APPROACHES	6.4 CU. YDS				59
FOUNDATION 'B'	19 CU. YDS				417
REINFORCING:					591
REBAR 'B'	1067				
4X4/4-4WWF	220 SQ FT				
PIECE NO.	QTY	BAR SIZE	LENGTH & DESCRIPTION	WT.	
3	22	4	4'-0"	2'-0"	
2	100	5	4'-0"		
1	54	5	10'-6"		

1/2" PVC CONDUIT FROM LOAD CELL LOCATION TO TOTALIZER LOCATION (10) PLACES ACCURATE LOCATION REQUIRED.



PRELIMINARY NOT FOR CONSTRUCTION. FOR ILLUSTRATION ONLY.

ALL SHARP CORNERS AND EDGES TO BE BROKEN				EMERY WINSLOW SCALE COMPANY	
UNLESS OTHERWISE SPECIFIED DIMENSIONS ARE IN INCHES				SEYMOUR, CT U.S.A. TERRE HAUTE, IN.	
MACHINING FABRICATION				ALTERNATE FOUNDATION FOR H85-10080-10-TA, 100 TON 80' X 10' MOTOR TRUCK SCALE	
DRAWN: CEM DATE: 11/04/08				SCALE: 1:36	FIRST USED ON: D-72764
CHECKED: DATE: T02907				DRAWING NO.:	REV.:
ACAD FILENAME: T02907					
LAYERS USED: ALL					